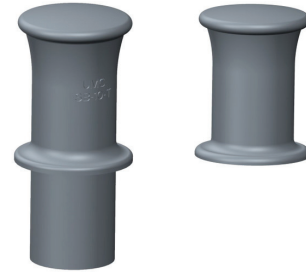


Single Bitts | 8", 10" | Cast Steel

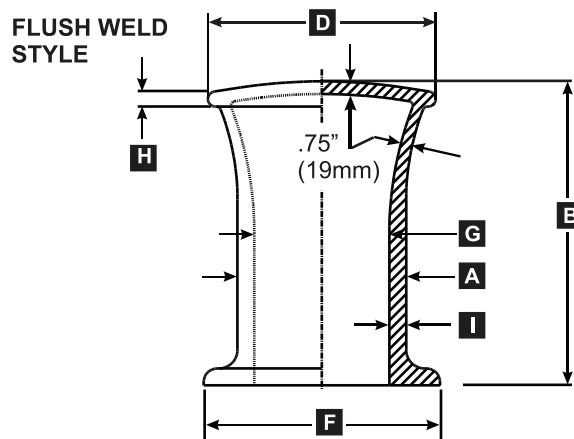
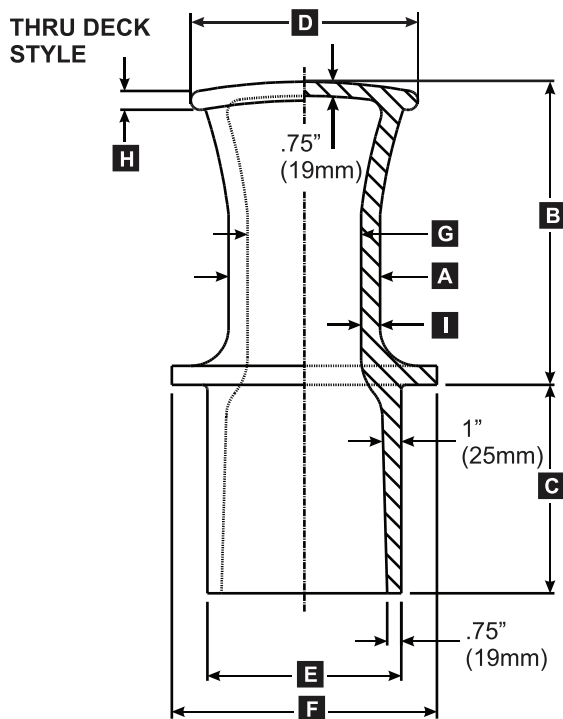
Universal Single Bitts.

ASTM A27-70-36 Cast Steel



| Model Number | Description | Autocad PDF/DXF | Part Number | Weight Total Lbs (Kgs.) |
|--------------|---|-----------------|-------------|-------------------------|
| UMC-492 | 8" Square Base Thru-Deck Single Bitt (Heavy Duty) | | 03720-301A | 370 (168) |
| UMC-530 | 8" Round Base Thru-Deck Single Bitt | | 08000-301A | 260 (118) |
| UMC-SB10T | 10" Round Base Thru-Deck Single Bitt | | 01142-301A | 292 (132) |
| UMC-SB10 | 10" Round Base Flush-Weld Single Bitt | | 01140-301A | 190 (86) |

Single Bitts ASTM A27-70-36 Cast Steel



| MODEL | DESCRIPTION | STYLE | PART # | DIMENSIONS IN INCHES (MM) | | | | | | | | | LBS (KGS) |
|------------|----------------------------|----------------------|------------|---------------------------|-----------|-----------|---------------|----------------|-------------|------------|------------|-----------|-----------|
| | | | | A | B | C | D | E | F | G | H | I | |
| UMC-492 | SINGLE BITT 8" SQUARE BASE | THRU DECK HEAVY DUTY | 03720-301A | 8" Ø (203) | 21" (533) | 12" (305) | 12" Ø (305) | 9.63" Ø (245) | 14" (356) | 5" Ø (127) | 1" (25) | 1.5" (38) | 370 (168) |
| UMC-530 | SINGLE BITT 8" ROUND BASE | THRU DECK | 08000-301B | 8" Ø (203) | 16" (406) | 11" (279) | 12" Ø (305) | 10.25" Ø (260) | 14" Ø (356) | 6" (152) | 1" (25) | 1" (25) | 260 (117) |
| UMC-SB10-T | SINGLE BITT 10" ROUND BASE | THRU DECK | 01142-301A | 10" Ø (254) | 18" (457) | 12" (305) | 13.5" Ø (343) | 10" Ø (254) | 14" Ø (356) | 8" (203) | 1.46" (37) | 1" (25) | 293 (132) |
| UMC-SB10 | SINGLE BITT 10" ROUND BASE | FLUSH WLD | 01140-301A | 10" Ø (254) | 18" (457) | N/A | 13.5" Ø (343) | N/A | 14" Ø (356) | 8" (203) | 1.46" (37) | 1" (25) | 190 (86) |