

## Roller Buttons | 11", 12.5", 15.5" | Assemblies

Universal Roller Buttons.  
ASTM A27-70-36 Cast Steel



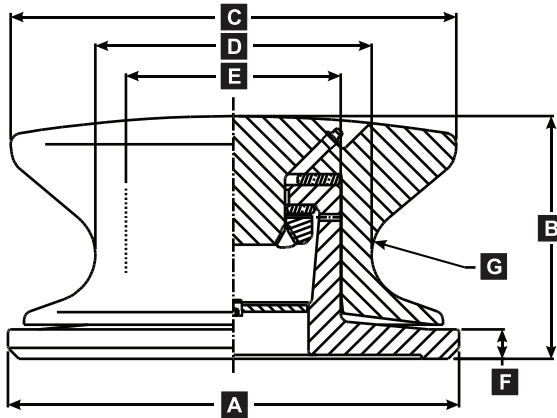
UMC-50  
08670-152A



UMC-75  
08671-152A

| Model Number | Description         | Autocad PDF/DXF | Part Number | Weight Total Lbs (Kgs.) |
|--------------|---------------------|-----------------|-------------|-------------------------|
| UMC-1048     | 13.5" Roller Button |                 | 08674-101A  | 250 (113)               |
| UMC-50       | 11" Roller Button   |                 | 08670-152A  | 100 (45)                |
| UMC-75       | 12.5" Roller Button |                 | 08671-152A  | 136 (62)                |
| UMC-100      | 15" Roller Button   |                 | 08672-152A  | 235 (107)               |

## Roller Buttons ASTM A27-70-36 Cast Steel



| MODEL   | DESCRIPTION                 | PART #     | DIMENSIONS IN INCHES (MM) |                |                  |                  |                 |              |                 | LBS (KGS)    |
|---------|-----------------------------|------------|---------------------------|----------------|------------------|------------------|-----------------|--------------|-----------------|--------------|
|         |                             |            | A                         | B              | C                | D                | E               | F            | G               |              |
| UMC-50  | ROLLER BUTTON, WELDED 11"   | 08670-152A | 12.5" Ø<br>(317)          | 5.29"<br>(134) | 11" Ø<br>(279)   | 8" Ø<br>(203)    | 5.5" Ø<br>(138) | 1"<br>(25)   | .78" R<br>(20)  | 100<br>(45)  |
| UMC-75  | ROLLER BUTTON, WELDED 12.5" | 08671-152A | 16.65" Ø<br>(423)         | 6.8"<br>(173)  | 12.5" Ø<br>(316) | 7.75" Ø<br>(197) | 6" Ø<br>(152)   | .83"<br>(21) | 1.33" R<br>(34) | 136<br>(62)  |
| UMC-100 | ROLLER BUTTON, WELDED 15.5" | 08672-152A | 14.86" Ø<br>(377)         | 7.88"<br>(200) | 15" Ø<br>(381)   | 9.25" Ø<br>(235) | 7" Ø<br>(178)   | 1"<br>(25)   | 1.56" R<br>(40) | 235<br>(107) |