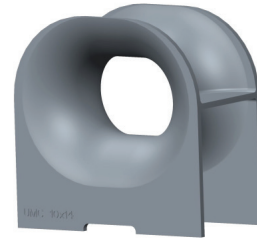




## Panama Chocks | 10" X 14", 12: X 18" | Cast

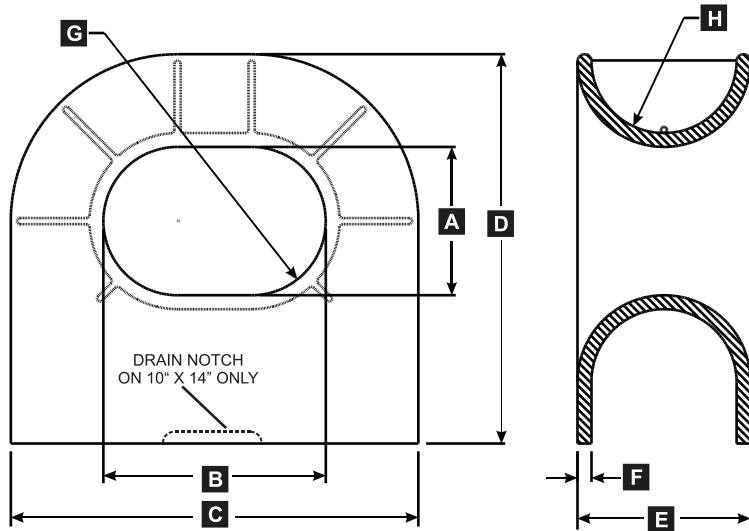
### Steel

Universal Panama Chocks.  
ASTM A27-70-36 Cast Steel



Model Number	Description	Autocad PDF/DXF	Part Number	Weight Total Lbs (Kgs.)
UMC-531-1014	Panama Chock 10x14		08370-301A	343 (156)
UMC-531-1218	Panama Chock 12x18		08372-301A	670 (304)

## Panama Chocks ASTM A27-70-36 Cast Steel



MODEL	DESCRIPTION	PART #	DIMENSIONS IN INCHES (MM)								LBS (KGS)
			A	B	C	D	E	F	G	H	
UMC-1014	PANAMA CHOCK, 10"X14"	08370-301A	10" (152)	14" (210)	28" (305)	27.25" (181)	14" (105)	.75" (89)	5" R (19)	5.5" R (13)	335 (17)
UMC-1218	PANAMA CHOCK, 12"X18"	08372-301A	12" (218)	18" (318)	33" Ø (330)	31.5" (146)	14" (51)	1.13" (10)	6" R (22)	5.88" R (19)	583 (34)