

BMHC15X23X2 5BZ - Manhole - 15" X 23" Raised Coaming

Baier's complete line of multi-bolt manholes serves as a great inexpensive option for applications where frequent access is not required. Ideal for tank top covers, fuel and water tank access, inspection access to ship voids, barges, sanitary and digester tanks, clean outs and more. These water-tight manholes feature simple designs and utilize high strength steel.

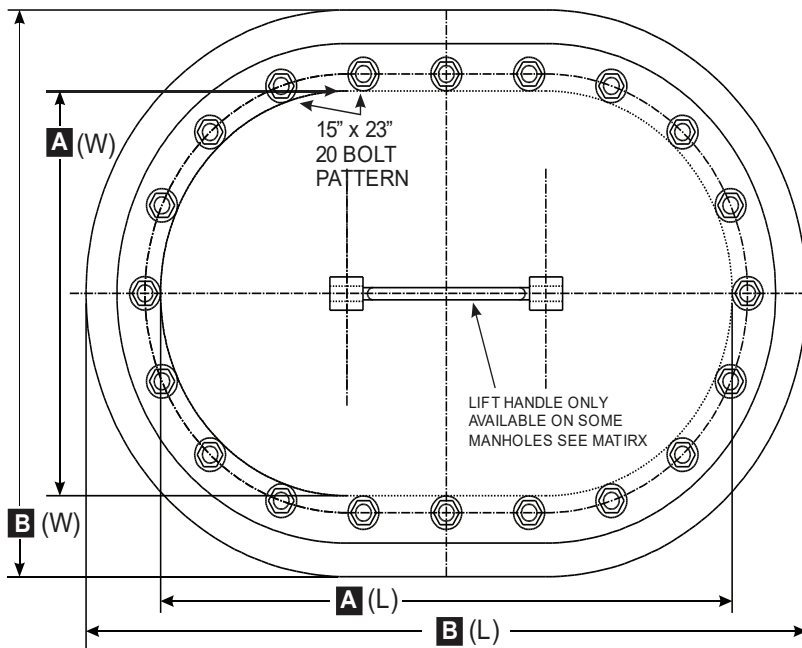
Features:

- High strength carbon steel construction
- Hardware combinations of dissimilar metal prevent galling and corrosion (Not available on all models - see Manhole Matrix for details)
- High-quality neoprene rubber gaskets ensure water tight seal (oil resistant Buna-N Optional)
- Neoprene Gasket material is UV resistant to prevent cracking and memory fatigue
- High strength carbon steel construction
- Hardware combinations of dissimilar metal prevent galling and corrosion (Not available on all models - see Manhole Matrix for details)
- High-quality neoprene rubber gaskets ensure water tight seal (oil resistant Buna-N Optional)
- Neoprene Gasket material is UV resistant to prevent cracking and memory fatigue



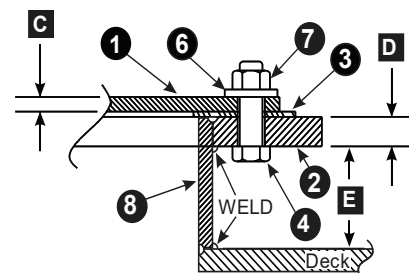
Model Number	Description	Part Number	Clear Opening In. (mm)	Cutout Dimension in. (mm)	Autocad PDF/DXF
UMC-501	Raised 15x23 20-Bolt Manhole w/ 2.5" Coaming	02570-101A	15 x 23 (380 x 584)		
BMHC15X23X4BS	Manhole - 15x23 4" Raised Coaming	02570-105A	15" X 23"		

All of our manholes meet the ABS (American Bureau of Shipping) requirements for design and materials



BILL OF MATERIAL: BMHC15X23X2_5BZ		
PC. NO.	DESCRIPTION	MATERIAL
1	COVER	STEEL (PRIMED)
2	DECK RING	STEEL (PRIMED)
3	GASKET	BUNA
4	BOLT	SEE MATRIX
5	STUD	NA
6	WASHER	SEE MATRIX
7	NUT	BRONZE
8	COAMING	STEEL (PRIMED)

EXAMPLE: NON-WELD



Manhole Product Matrix

BAIER P/N	DRAWING #	MODEL #	BOLT TYPE	BOLT LGNTH	A(W)	A(L)	B(W)	B(L)	C	D	E	WGHT LBS	BOLT/STUD	NUT	WSHR	GSKT	HNDL Y/N	
15" x 23"	20 Bolt Raised																	
BMHC15X23X2.5BZ	02570-101A	UMC-501	NON WELD	5/8-11	1.75	15	23	20	28	.393	.375	2.5	85	ZN	SS	BR	BUNA	N
BMHC15X23X4BS	02570-105A		NON WELD	5/8-11	1.75	15	23	20	28	.393	.375	4	95	SS	BR	BR	BUNA	N

BAIER



Marine Company, Inc.

1-800-455-3917
206-632-2441 (FAX)
sales@baiermarine.com