

### BMHC14 BAIER - Clean-Out Hatch - Round 14" & 18" Raised Coaming

The round manholes are also sometimes referred to as clean-out hatches.

Baier's complete line of multi-bolt manholes serves as a great inexpensive option for applications where frequent access is not required. Ideal for tank top covers, fuel and water tank access, inspection access to ship voids, barges, sanitary and digester tanks, clean outs and more. These water-tight manholes feature simple designs and utilize high strength steel.

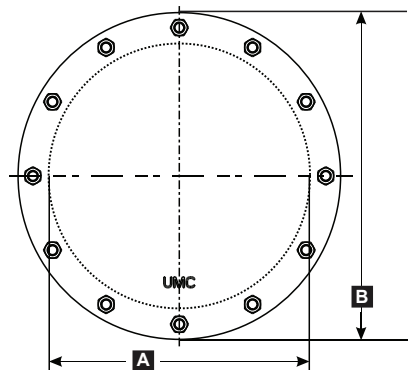
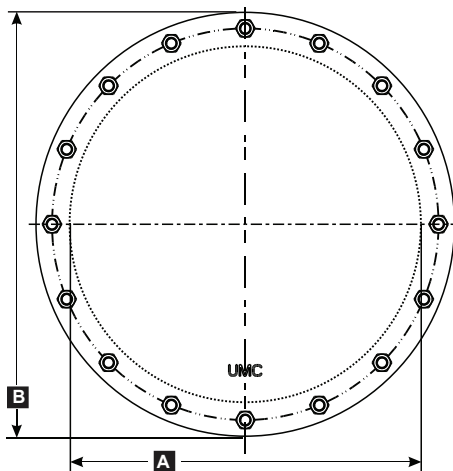
#### Features:

- High strength carbon steel construction
- Hardware combinations of dissimilar metal prevent galling and corrosion (Not available on all models - see Manhole Matrix for details)
- High-quality neoprene rubber gaskets ensure water tight seal (oil resistant Buna-N Optional)
- Neoprene Gasket material is UV resistant to prevent cracking and memory fatigue
- High strength carbon steel construction
- Hardware combinations of dissimilar metal prevent galling and corrosion (Not available on all models - see Manhole Matrix for details)
- High-quality neoprene rubber gaskets ensure water tight seal (oil resistant Buna-N Optional)
- Neoprene Gasket material is UV resistant to prevent cracking and memory fatigue



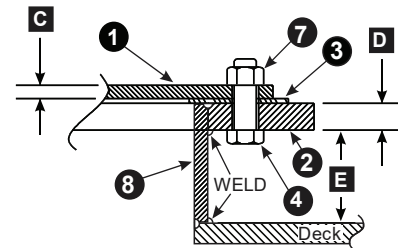
Model Number	Description	Part Number	Clear Opening In. (mm)	Cutout Dimension in. (mm)	Autocad PDF/DXF
UMC-154-18	Raised 18" Round Clean-Out Hatch	08450-101A	18 (457)		
UMC-154-18-SS	Raised 18" Round Clean-Out Hatch SS	08450-102B	18 (457)		
UMC-154-14	Raised 14" Round Clean-Out Hatch	08451-101A	14 (357)		
UMC-154-14-SS	Raised 14" Round Clean-Out Hatch SS	08451-102B	14 (357)		

All of our manholes meet the ABS (American Bureau of Shipping) requirements for design and materials



#### BILL OF MATERIAL: BMHC14\_18

PC.NO.	DESCRIPTION	MATERIAL
1	COVER	STEEL (PRIMED)
2	DECK RING	STEEL (PRIMED)
3	GASKET	BUNA
4	BOLT	SEE MATRIX
5	STUD	NA
6	WASHER	SEE MATRIX
7	NUT	BRONZE
8	COAMING	STEEL (PRIMED)



### Manhole Product Matrix

BAIER P/N P/N	DRAWING #	MODEL #	BOLT TYPE	BOLT TYPE	BOLT LGNTH	A(W)	A(L)	B(W)	B(L)	C	D	E	WGHT LBS	BOLT/ STUD	NUT	WSHR	GSKT	HNDL Y/N
18" Round	Raised																	
BMHC18BR	08450-101A	UMC-154-18	NON WELD	5/8-11	2	18	18	23	23	.393	.393	2.5	78	ZN	BR		BUNA	N
BMHC18SS	08450-102B	UMC-154-18	NON WELD	5/8-11	2	18	18	23	23	.393	.393	2.5	78	SS	SS		NONE	N
14" Round	Raised																	
BMHC14BR	08451-101A	UMC-154-14	NON WELD	5/8-11	2	14	14	19	19	.393	.393	2.5	55	ZN	BR		BUNA	N
BMHC14SS	08451-102B	UMC-154-14	NON WELD	5/8-11	2	14	14	19	19	.393	.393	2.5	55	SS	SS		BUNA	N



1-800-455-3917  
206-632-2441 (FAX)  
sales@baiermarine.com