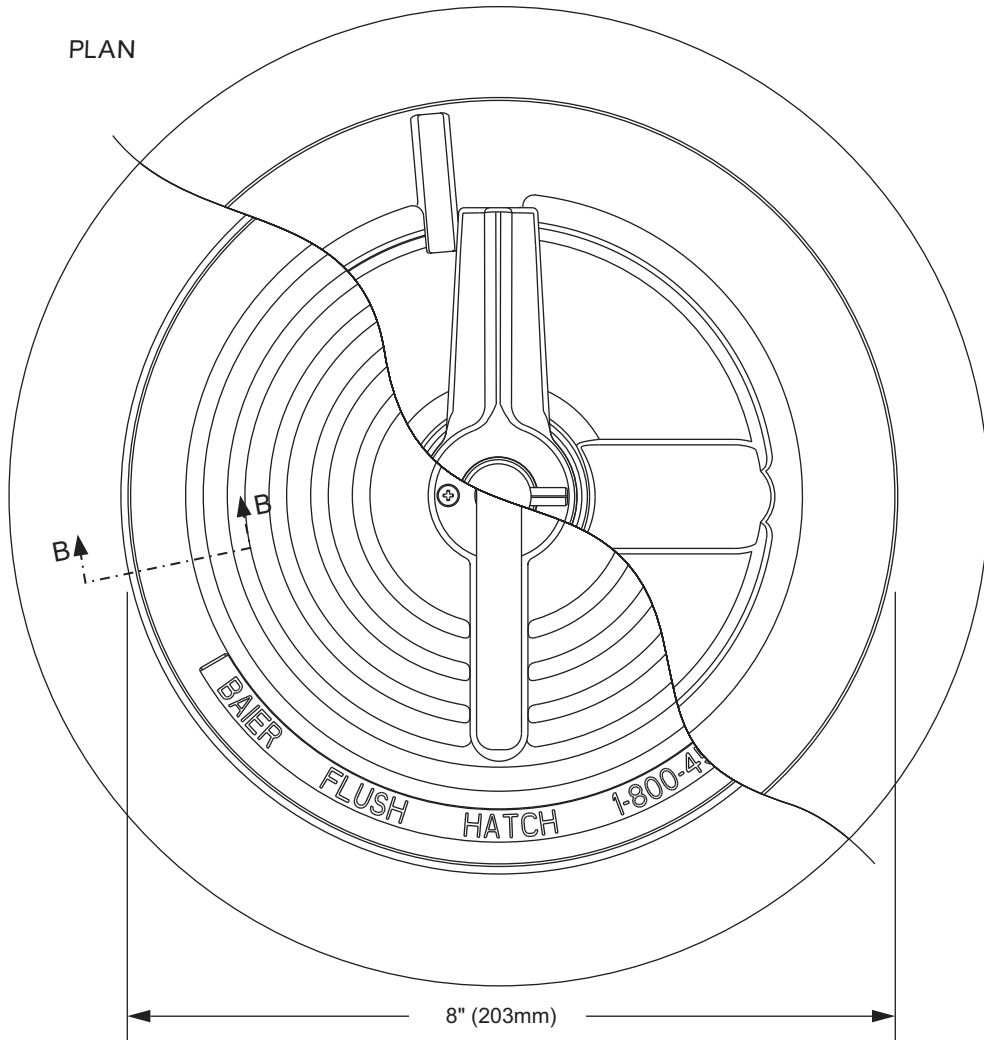


PLAN

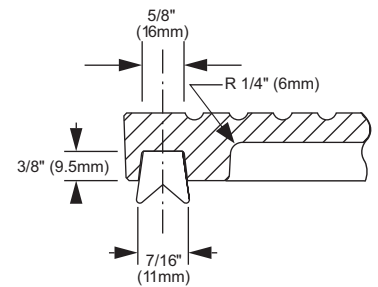


BILL OF MATERIAL: 08863-110A

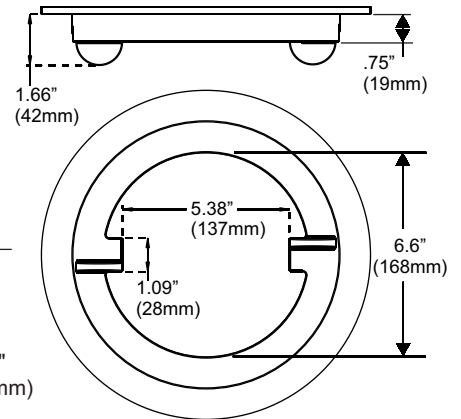
#	DESCRIPTION	MAT	P/N
1	COVER	AL	08863-108A
2	DECK RING	AL.ST	08863-213A,B
3	STRONGBACK	AL	08863-217A
4	T-HANDLE	SS	08863-402A
5	CENTER BOLT	SS	08863-216A
6	COVER PLATE	SS	WITH T-HNDL
7	(4) SCREW M3 x .5	SS	08863-803A
8	BOLT, M8	SS	WITH T-HNDL
9	PIN 5mm x 35 mm	SS	08863-802A
10	O-RING	NEO	08863-706A
11	RETAINER RING	SS	08863-806A
12	GASKET	NEO	08863-707A

MATERIAL KEY	
AL - ALUMINUM	NEO - NEOPRENE
ST - GALV. STEEL	ZNST - ZINC PLATED ST
SS - STAINLESS STEEL	BR - BRONZE

NOTE: BUTT WELD ON STEEL AND ALUMINUM DECKS.
BOLT DOWN ON WOOD AND FIBERGLASS DECKS
(FLANGES SUPPLIED BLIND - SHIPYARD TO
DRILL TO SUIT)

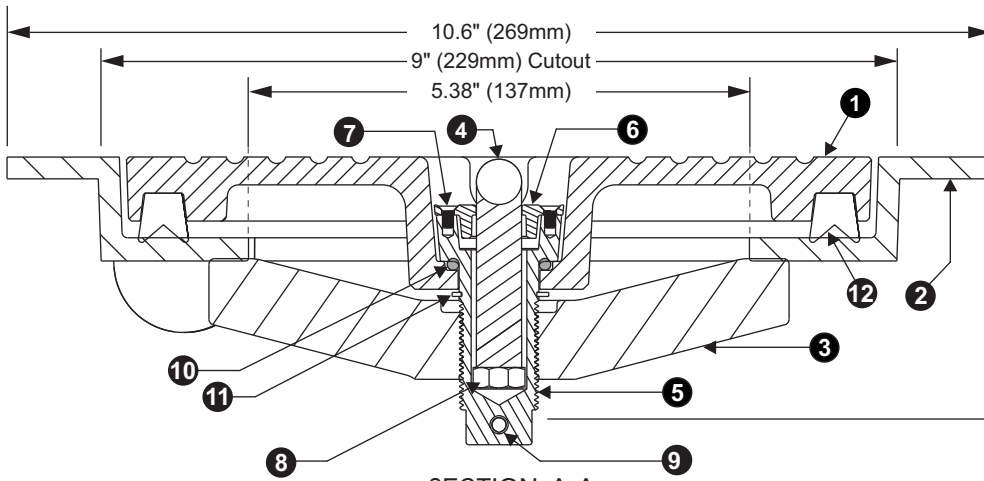


GASKET GROOVE,
SECTION B:B



SECTION A:A

T-HANDLE
STRONGBACK



HATCH WEIGHTS LBS. (KGMS)		
Model Number	BFHRT8	
Material	AL	ST
Cover	3.5 (1.6)	N/A
Deck Ring	3 (1.4)	5.5 (2.5)

BAIER Marine Company, Inc.
1-800-455-3917
206-632-2441 (FAX)
sales@baiermarine.com

BAIER FLUSH HATCH
LIFT-OUT PLAIN DOGGED TYPE
WITH BUILT-IN T-HANDLE
TYPE "C" POSITIVE LOCKING
MODEL BFHRT8

DWG. NO. 08863-110A