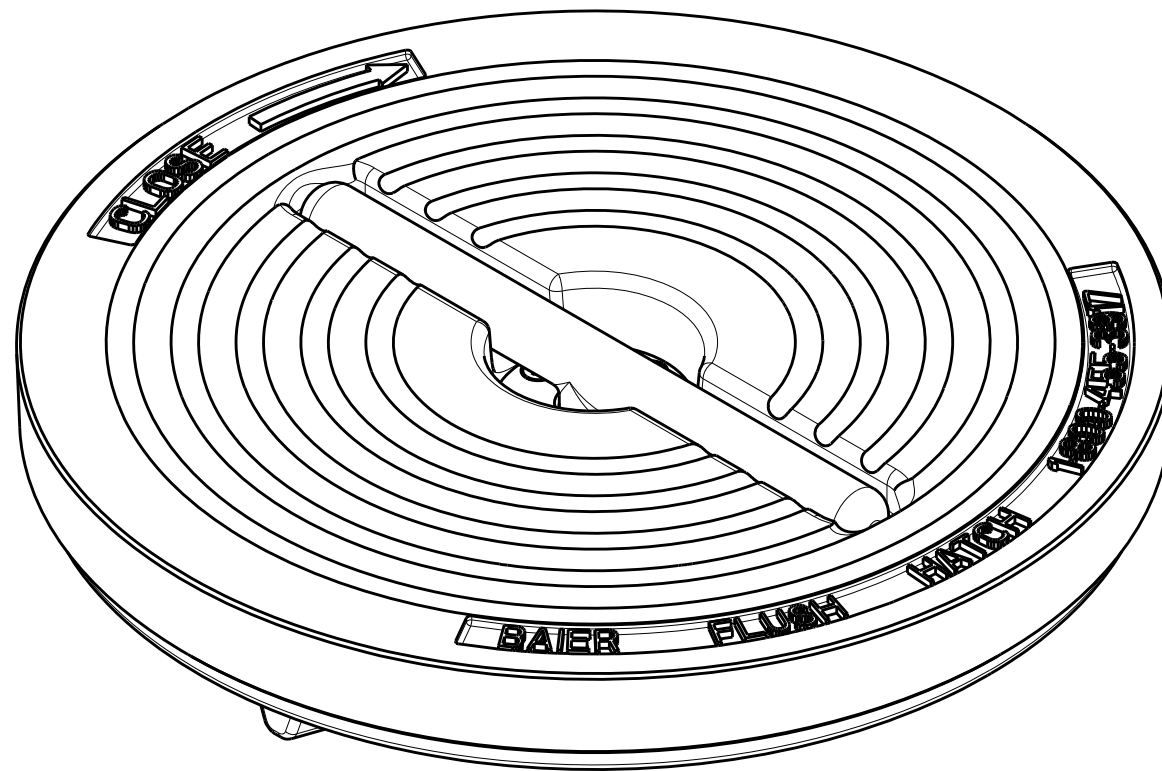


REVISIONS					
REV	ECN	ECR-TN	DESCRIPTION	DATE	APR
A	16-00209	N/A	INITIAL RELEASE	08/19/16	RCL

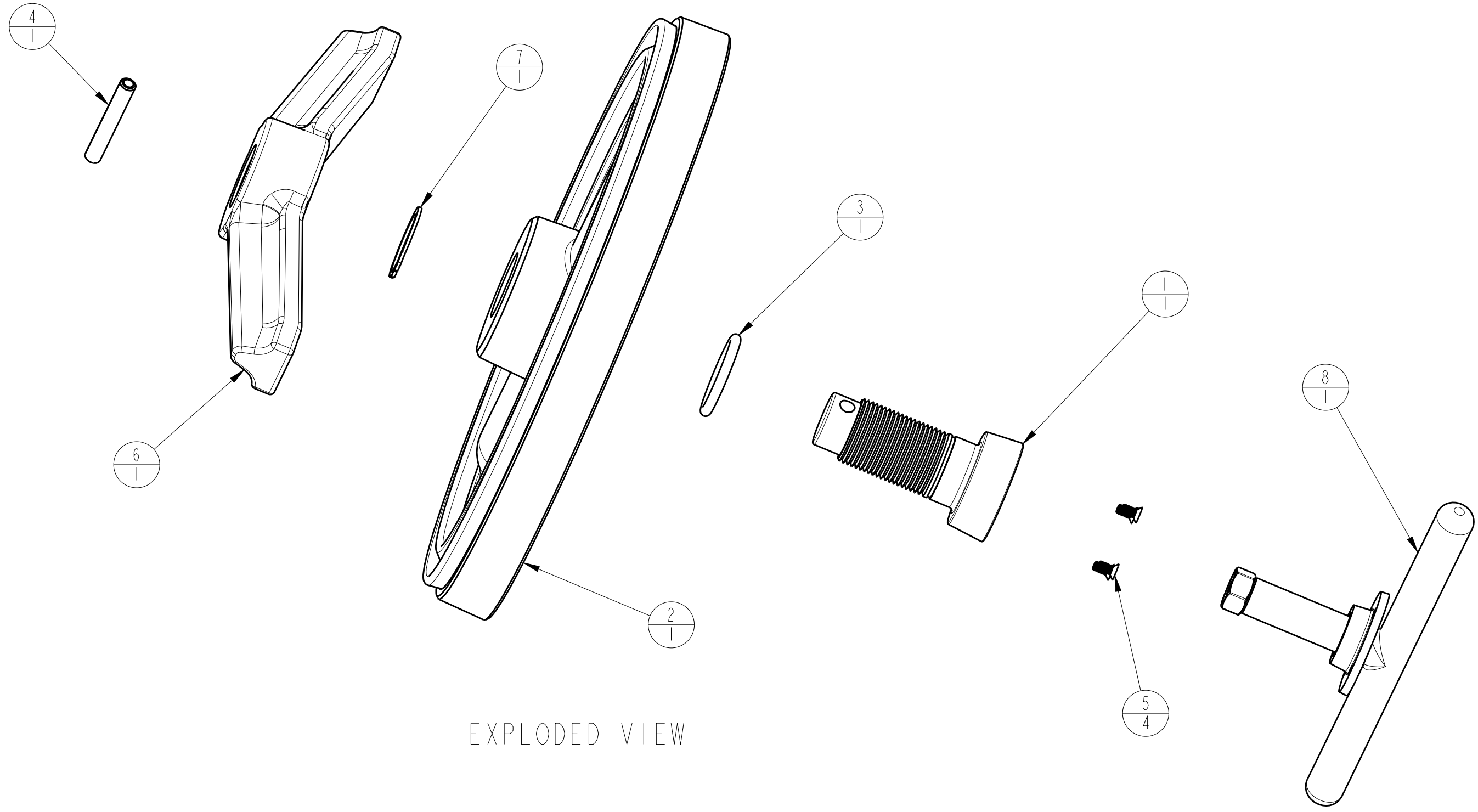


ISOMETRIC VIEW

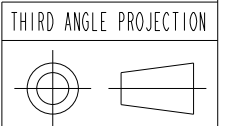
QTY	DESCRIPTION	PART NO	ITEM
1	WELDMENT, HANDLE ASSY	08863-402A	8
1	RING, EXT RETAINING 22mm	08863-806A	7
1	STRONGBACK, 8IN TEE	08863-217A	6
4	SCREW, FL.HD PH M3 X .5 -6mmLG	08863-803A	5
1	PIN, SPRING 5mm X 35mm LG S.S.	08863-802A	4
1	O-RING 22mm ID X 3.5mm CS	08863-706A	3
1	COVER KIT 8 TEE	08863-108A	2
1	BOLT, CENTER, THREAD TH	08863-216A	1

PRO/E THIRD ANGLE PROJECTION		THE INFORMATION CONTAIN IN THIS DOCUMENT IS PROPRIETARY AND SHALL NOT BE REPRODUCED OR USED FOR ANY PURPOSE WITHOUT THE WRITTEN APPROVAL OF BAIER MARINE CO., INC.			
UMC P/N REF 08863-109A		2920 Airway Ave., Costa Mesa, CA 92626 TITLE COVER ASSY, 8 INCH RND HATCH, T-HANDLE		SIZE B DWG NO. BFHRTH8A REV A	
DWN BAE DT 01/08/16 CK DT APR DT		SCALE 3:4 AND NOTED		SHEET 1 OF 3	

REVISIONS					
REV	ECN	ECR-TN	DESCRIPTION	DATE	APR
A	16-00209	N/A	SEE SHEET 1	08/19/16	RCL

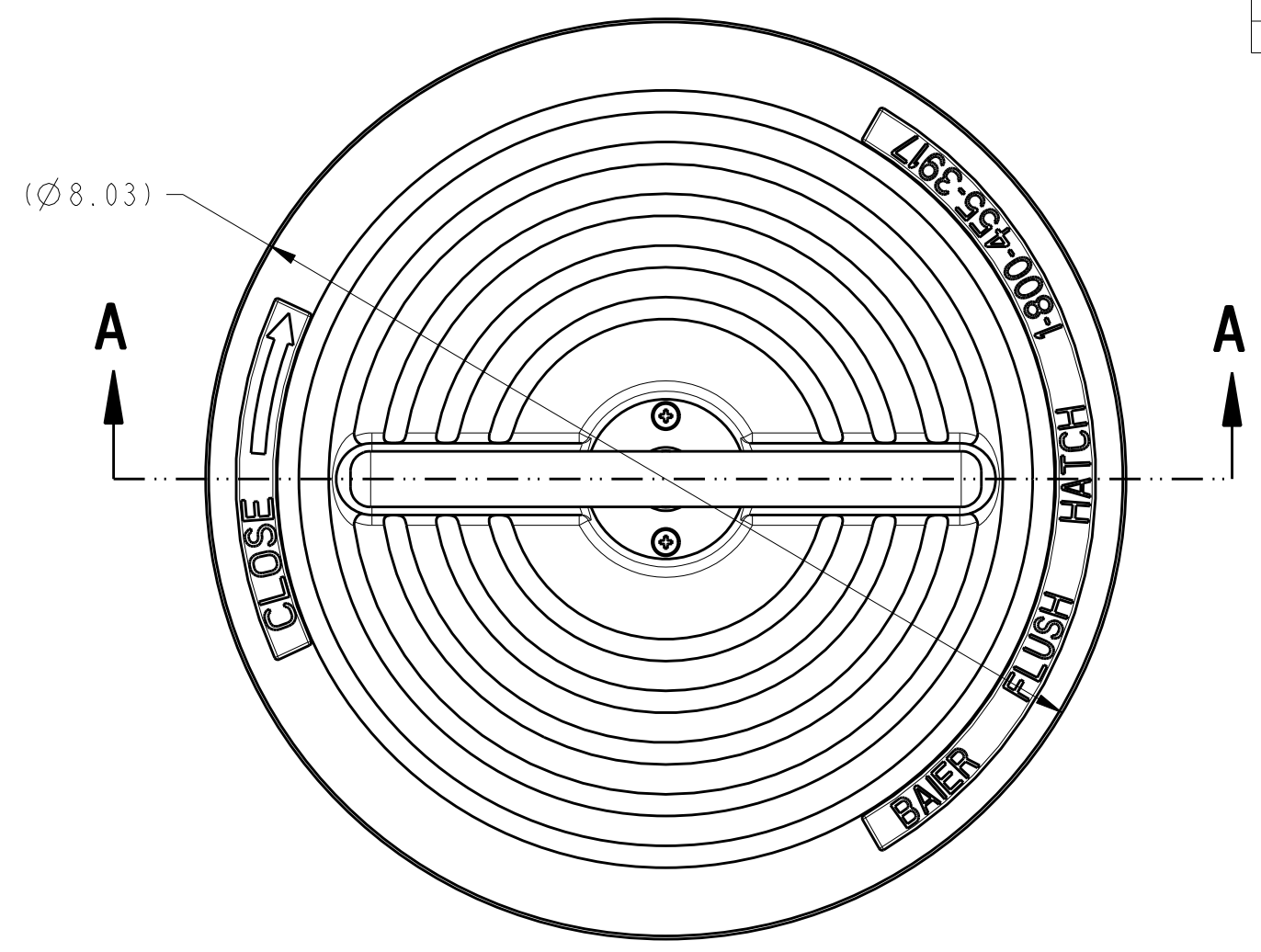


EXPLODED VIEW

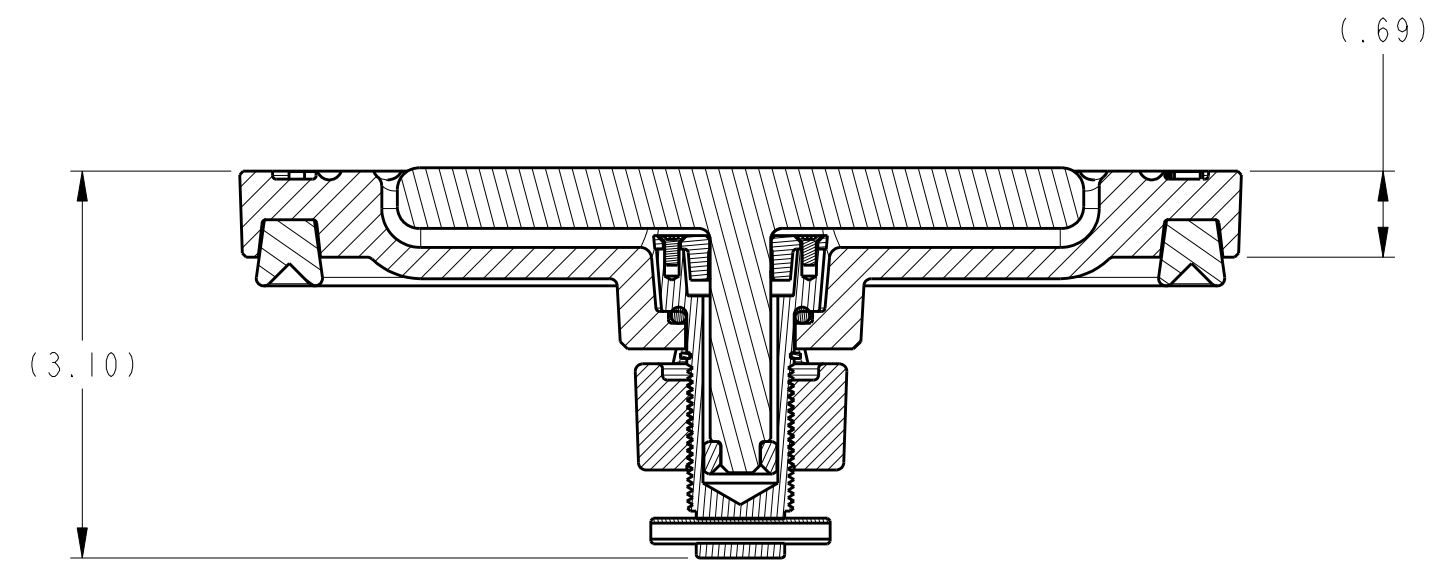


BAIER MARINE Co., Inc. 2920 Airway Ave., Costa Mesa, CA 92626		DWN DT	DWG NO. BFHRT8A	REV A
SCALE 3:4		SHEET 2 OF 3		

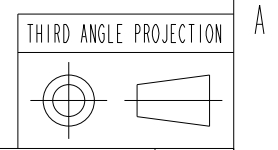
REVISIONS				DATE	APR
REV	ECN	ECR-TN	DESCRIPTION		
A	16-00209	N/A	SEE SHEET 1	08/19/16	RCL



TOP VIEW



SECTION A-A



BAIER MARINE Co., Inc. 2920 Airway Ave., Costa Mesa, CA 92626		DWN DT	DWG NO. BFHRT8A SCALE 13:20 SHEET	REV A 3 OF 3
--	--	-----------	--------------------------------------	-----------------