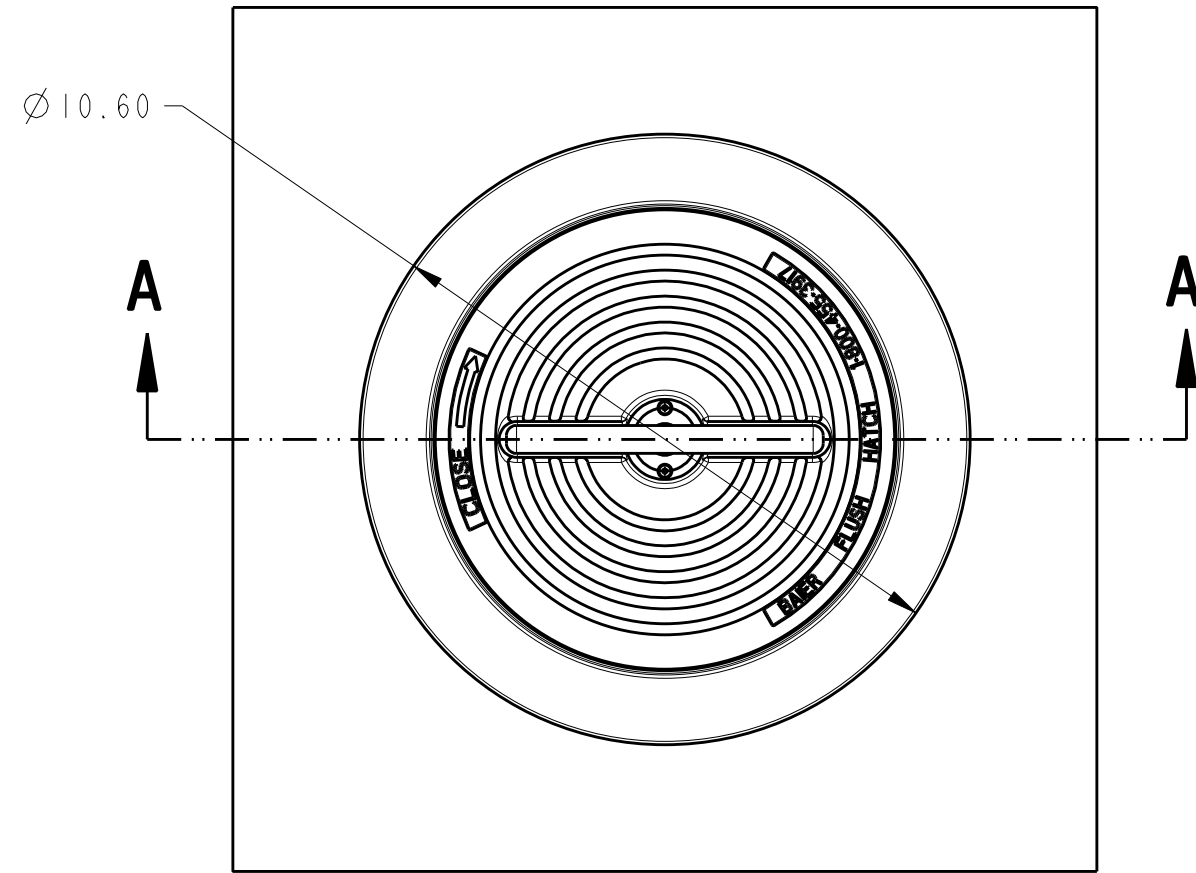
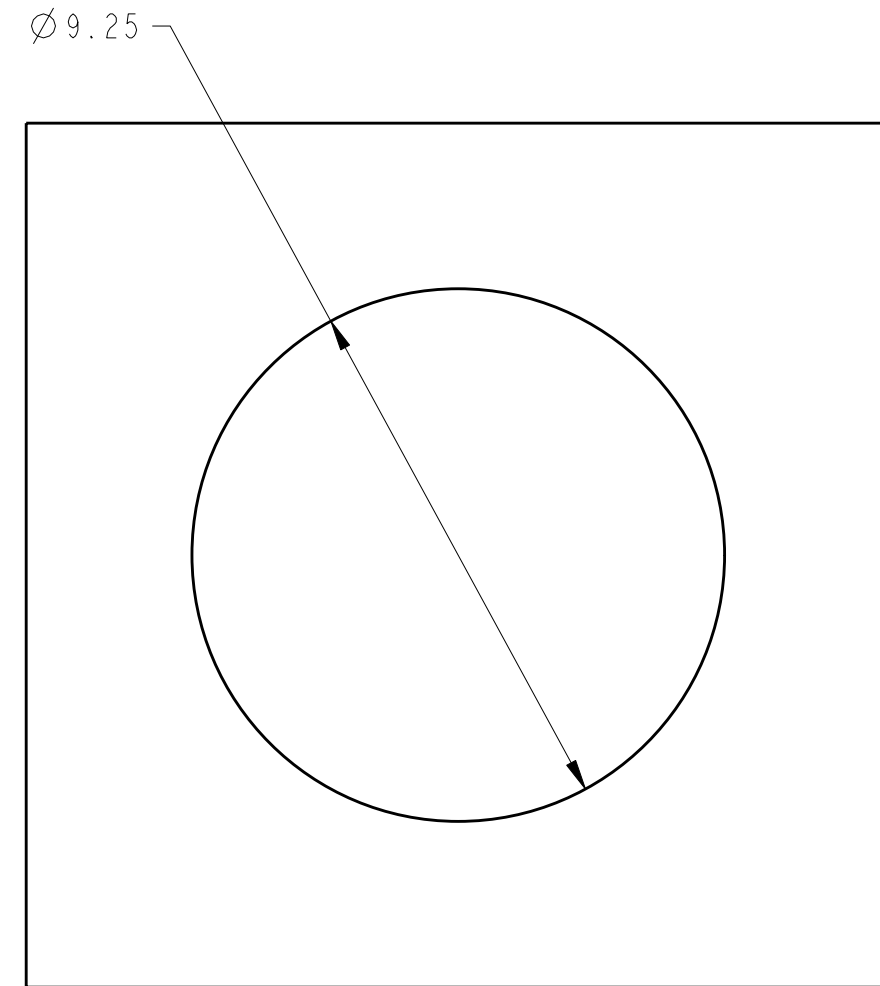


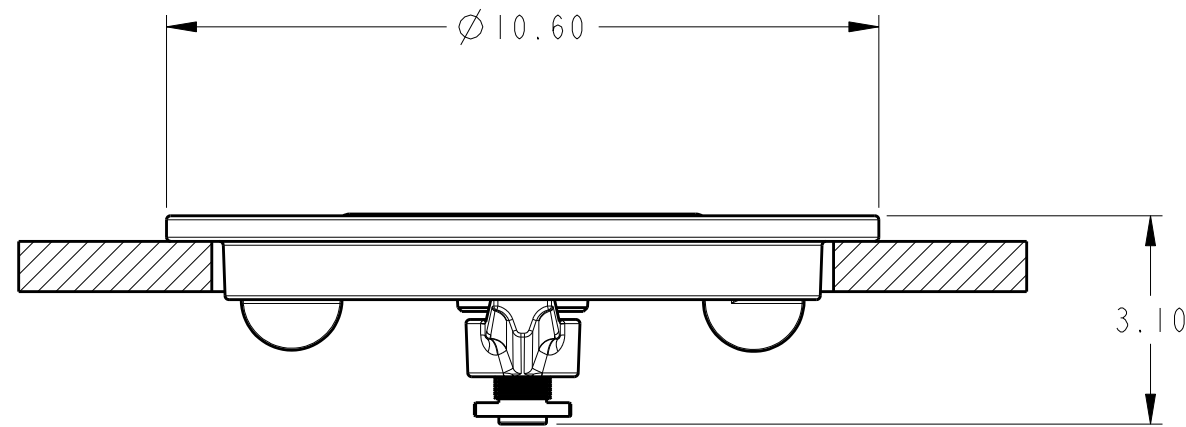
| REVISIONS | | | | | |
|-----------|----------|--------|-----------------|----------|-----|
| REV | ECN | ECR-TN | DESCRIPTION | DATE | APR |
| A | 16-00209 | N/A | INITIAL RELEASE | 08/19/16 | RCL |



TOP VIEW
SCALE 3:10

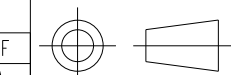


CUTOUT DIMENSION VIEW
SCALE 3:10



SECTION **A-A**
SCALE 7:20

PRO/E
THIRD ANGLE PROJECTION



UMC P/N REF
08863-110A

THE INFORMATION CONTAIN IN THIS DOCUMENT IS PROPRIETARY AND SHALL NOT BE REPRODUCED OR USED FOR ANY PURPOSE WITHOUT THE WRITTEN APPROVAL OF BAIER MARINE CO., INC.

| | | | |
|-----|-----|----|----------|
| DWN | BAE | DT | 08/26/15 |
| CK | | DT | |
| APR | | DT | |

BAIER
2920 Airway Ave., Costa Mesa, CA 92626

TITLE HATCH ASSY, 8" RND, T-HANDLE, AL

| | | |
|---------------------|--------------------|--------------|
| SIZE B | DWG NO. BFHRTH8A-A | REV A |
| SCALE 2:5 AND NOTED | | SHEET 1 OF 1 |