

8

7

6

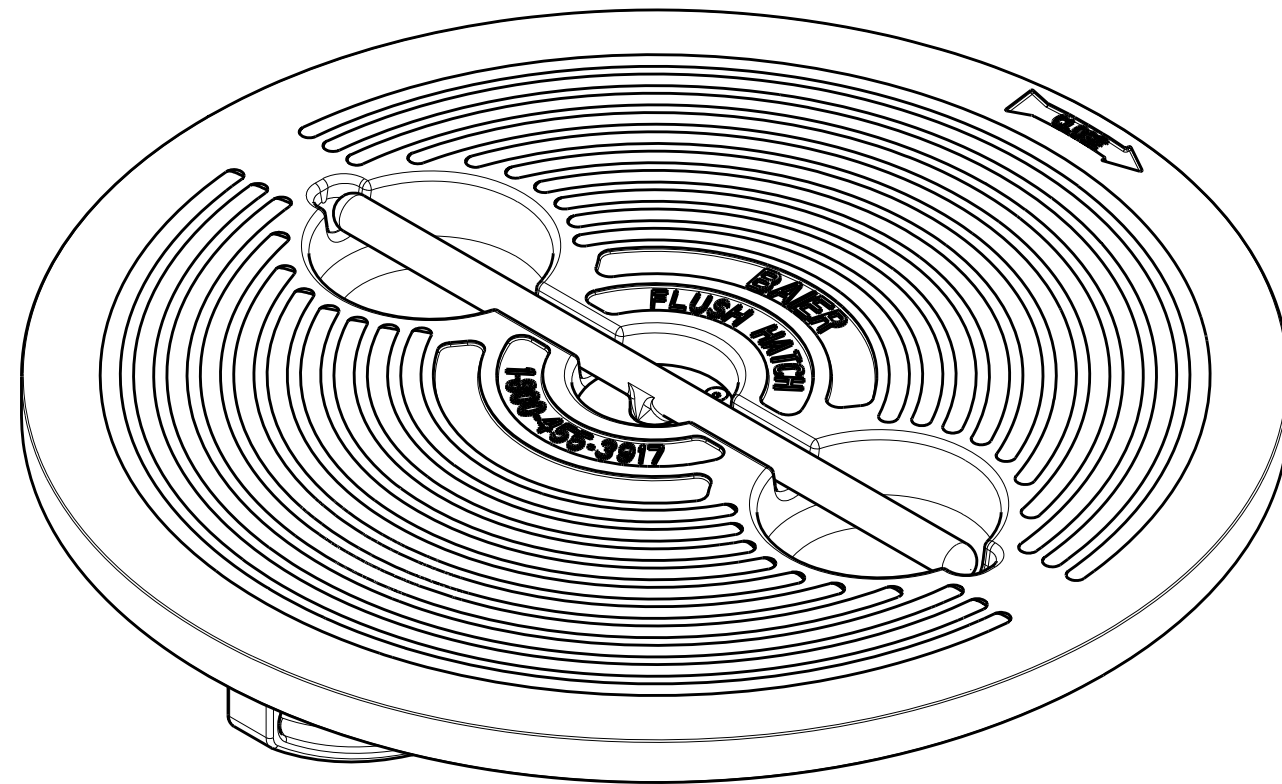
5

4

3

2

REVISIONS					
REV	ECN	ECR-TN	DESCRIPTION	DATE	APR
A	16-00209	N/A	INITIAL RELEASE	08/19/16	RCL



ISOMETRIC VIEW

QTY	DESCRIPTION	PART NO	ITEM
1	DECAL, HATCH LUB	08861-710A	11
1	SPRING	08861-805A	10
1	ROD, .50" DIA X 12" LG	08861-205A	9
1	COVER-GASKET KIT, TH, AL #200, 20"	08861-133A	8
1	GASKET, 1.50" ID	08861-701A	7
1	SCREW, SET 5/16-18 X 5/16 SS	06122-801B	6
1	WASHER, FLAT 1.50" ID SS	08861-206A	5
1	BOLT, CENTER, THREAD TH	08861-214A	4
1	TEE HANDLE HEX ASSY	08862-117A	3
4	SCREW, FLAT, SOC HD #10-24 X 1/2 LG	08861-801A	2
1	STRONGBACK 20" TEE BRONZE	08861-138A	1

PRO/E THIRD ANGLE PROJECTION	THE INFORMATION CONTAIN IN THIS DOCUMENT IS PROPRIETARY AND SHALL NOT BE REPRODUCED OR USED FOR ANY PURPOSE WITHOUT THE WRITTEN APPROVAL OF BAIER MARINE CO., INC.			
	2920 Airway Ave., Costa Mesa, CA 92626		TITLE COVER ASSY, T-HANDLE, AL #200, 20"	
UMC P/N REF 08861-132A		DWN BAE DT 01/08/16 CK DT APR DT	SIZE B DWG NO. BFHRTH20A	REV A
SCALE 3:10 AND NOTED			SHEET	1 OF 3

8

7

6

5

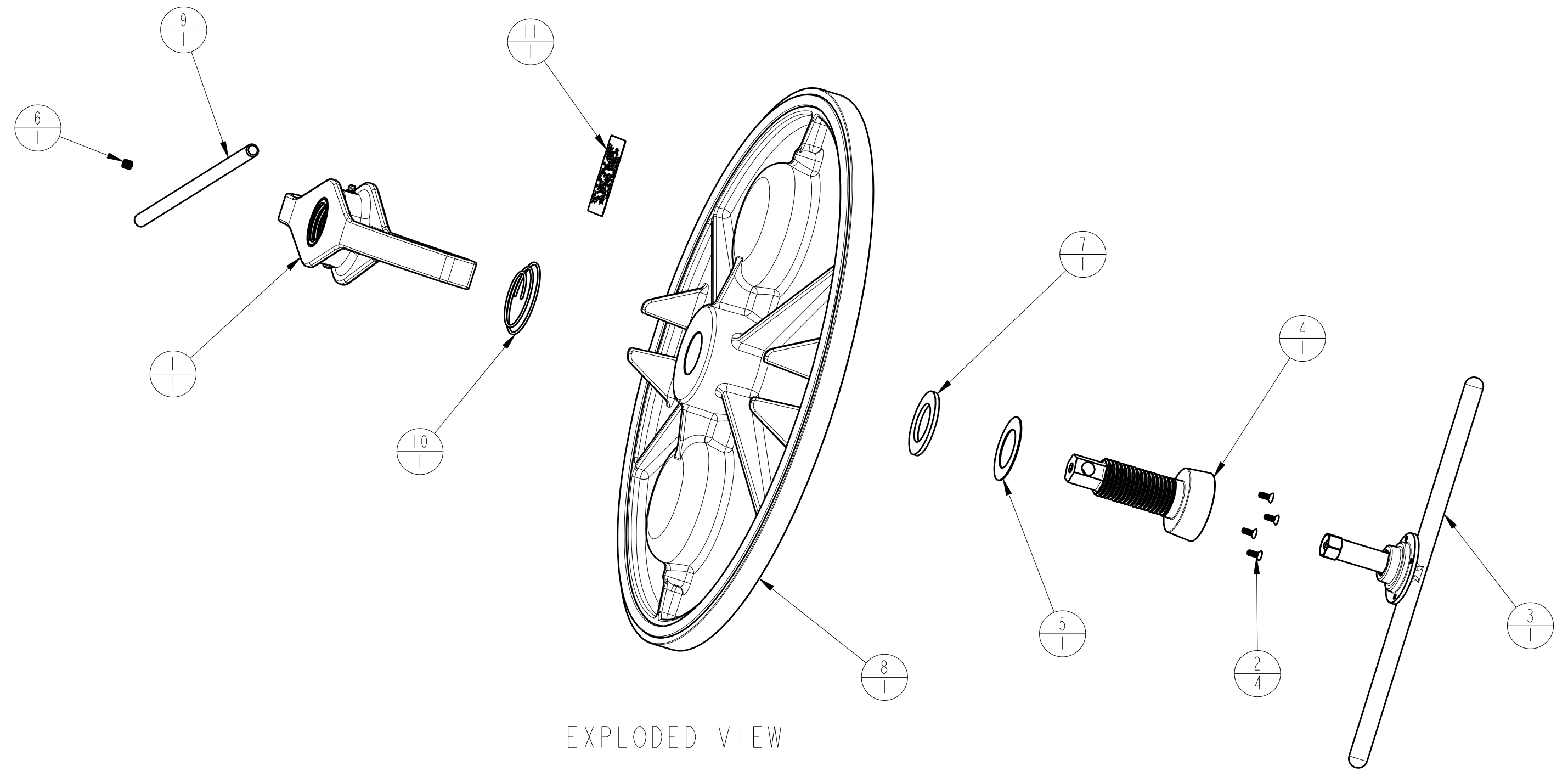
4

3

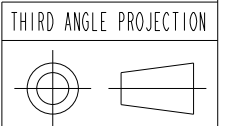
2

1

REVISIONS					
REV	ECN	ECR-TN	DESCRIPTION	DATE	APR
A	16-00209	N/A	SEE SHEET 1	08/19/16	RCL

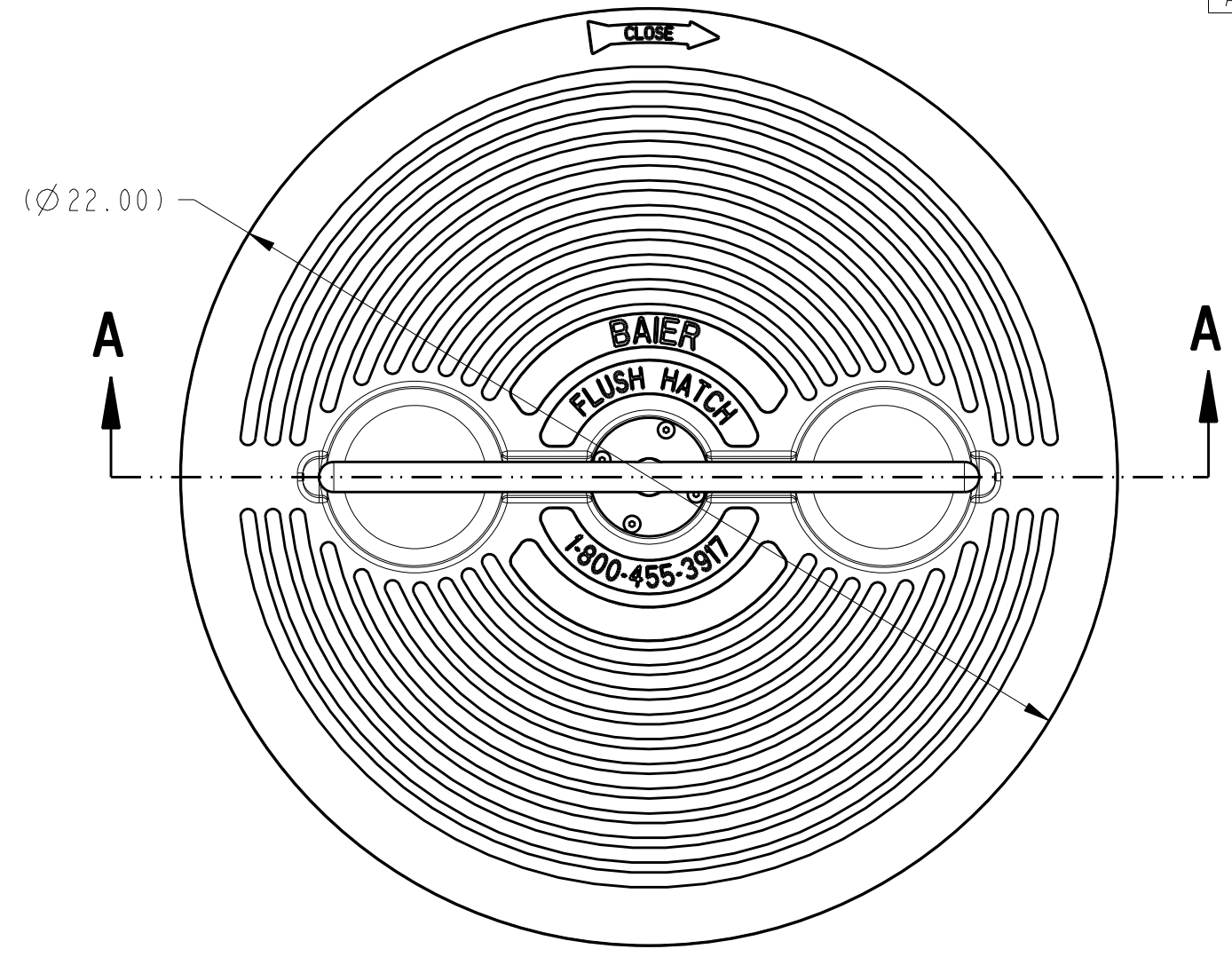


EXPLODED VIEW

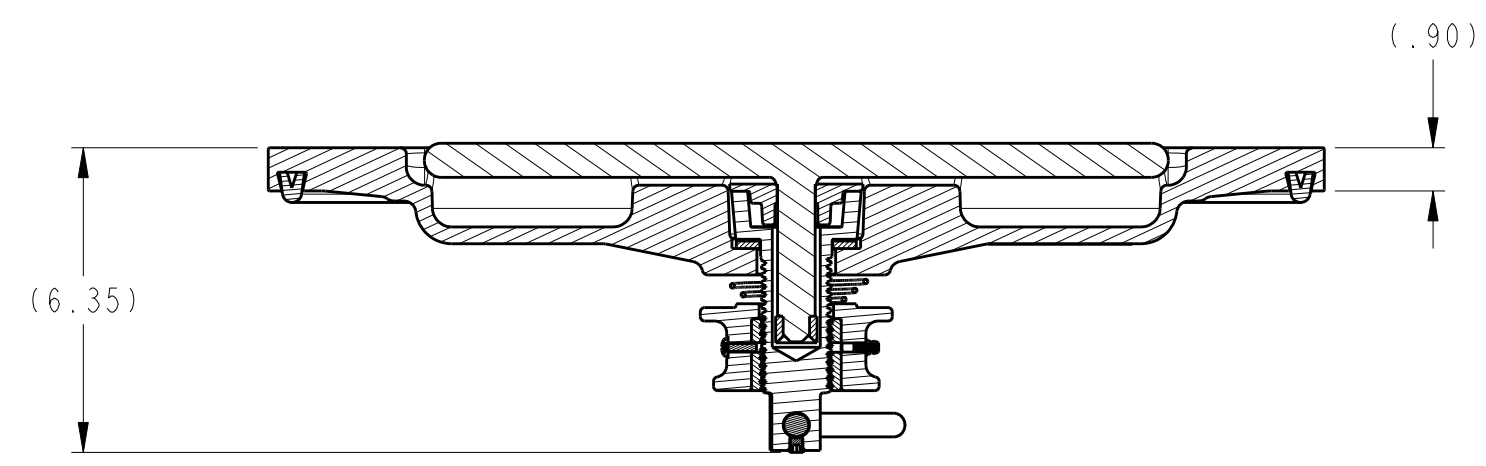


BAIER MARINE Co., Inc. 2920 Airway Ave., Costa Mesa, CA 92626		DWN DT	DWG NO. BFHRTH20A SCALE 1:4 SHEET	REV A 2 OF 3
--	--	-----------	--------------------------------------	-----------------

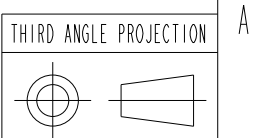
REVISIONS				DATE	APR
REV	ECN	ECR-TN	DESCRIPTION		
A	16-00209	N/A	SEE SHEET 1	08/19/16	RCL



TOP VIEW



SECTION A-A



BAIER MARINE Co., Inc. 2920 Airway Ave., Costa Mesa, CA 92626		DWN DT	DWG NO. BFHRT20A SCALE 1:4 SHEET	REV A 3 OF 3
--	--	-----------	-------------------------------------	-----------------