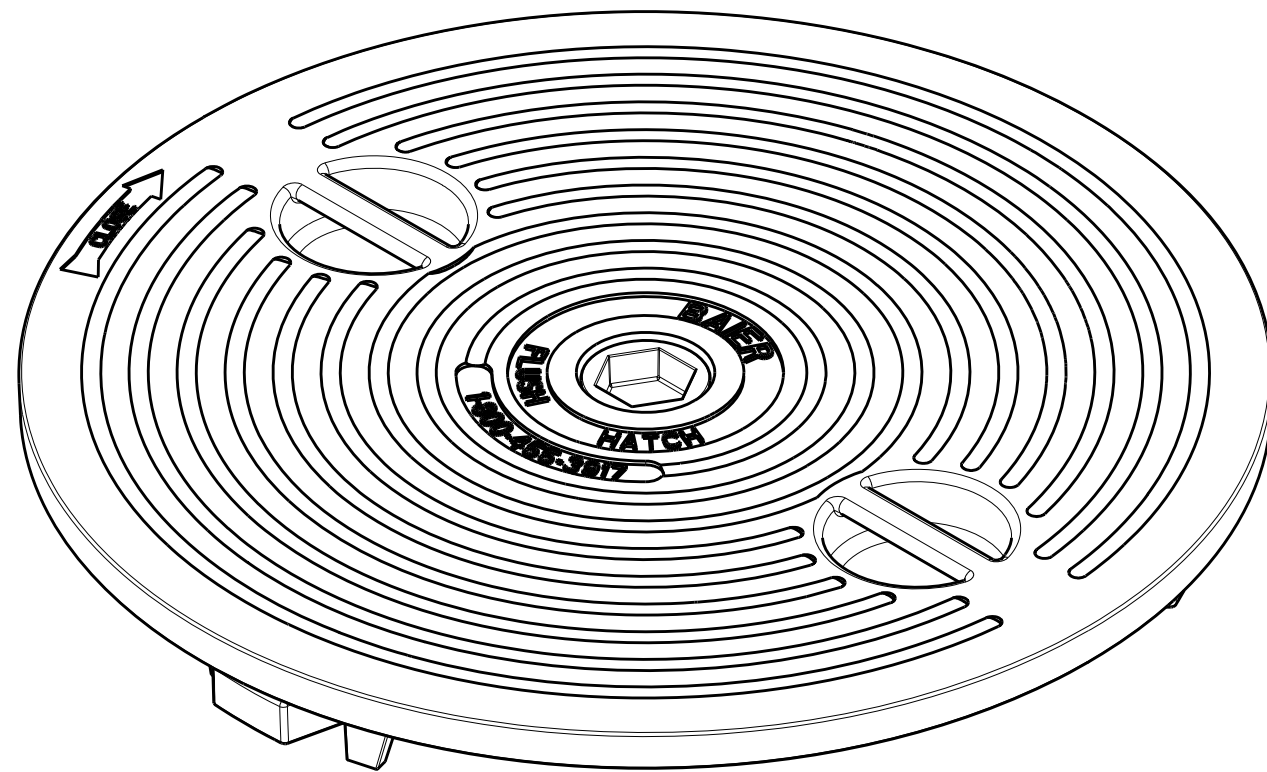


REVISIONS					
REV	ECN	ECR-TN	DESCRIPTION	DATE	APR
A	16-00209	N/A	INITIAL RELEASE	08/19/16	RCL

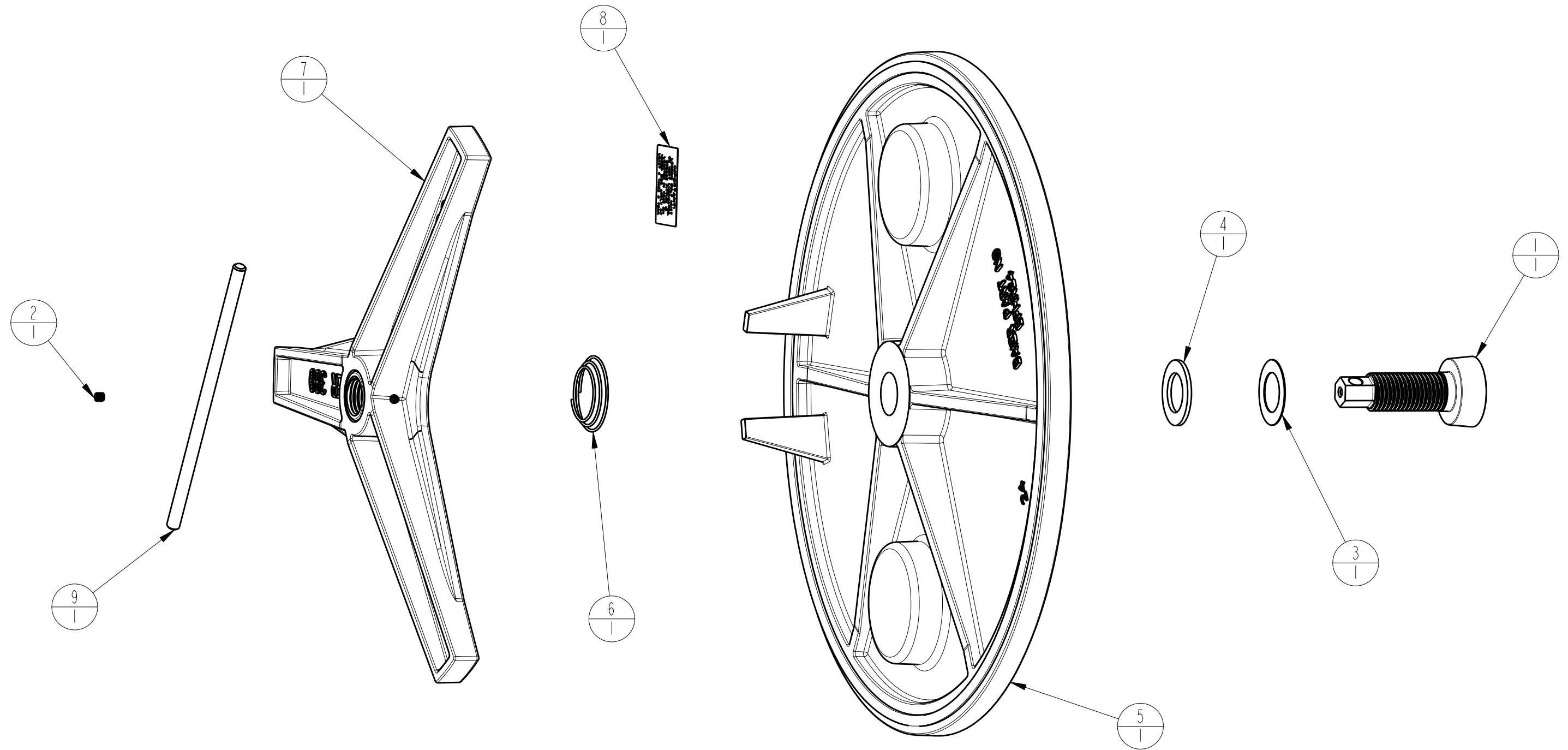


ISOMETRIC VIEW

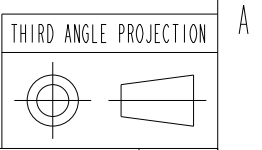
QTY	DESCRIPTION	PART NO	ITEM
1	ROD, .50" DIA X 12" LG	08861-205A	9
1	DECAL, HATCH LUB	08861-710A	8
1	STRONGBACK ASSY, AL, 24" INSERT	08861-188A	7
1	SPRING	08861-805A	6
1	COVER-GASKET KIT - ALUM 24" ROUND	08861-183A	5
1	GASKET, 1.50" ID	08861-701A	4
1	WASHER, FLAT 1.50" ID SS	08861-206A	3
1	SCREW, SET 5/16-18 X 5/16 SS	06122-801B	2
1	BOLT, CENTER THREADED	08861-204A	1

PRO/E THIRD ANGLE PROJECTION	THE INFORMATION CONTAIN IN THIS DOCUMENT IS PROPRIETARY AND SHALL NOT BE REPRODUCED OR USED FOR ANY PURPOSE WITHOUT THE WRITTEN APPROVAL OF BAIER MARINE CO., INC.			
	2920 Airway Ave., Costa Mesa, CA 92626		TITLE COVER ASSY, AL #630, 24"	
UMC P/N REF 08861-182A		DWN BAE DT 01/07/16 CK DT APR DT	SIZE B DWG NO. BFHR24A	REV A
SCALE 1:4 AND NOTED			SHEET	1 OF 3

REVISIONS					
REV	ECN	ECR-TN	DESCRIPTION	DATE	APR
A	16-00209	N/A	SEE SHEET 1	08/19/16	RCL

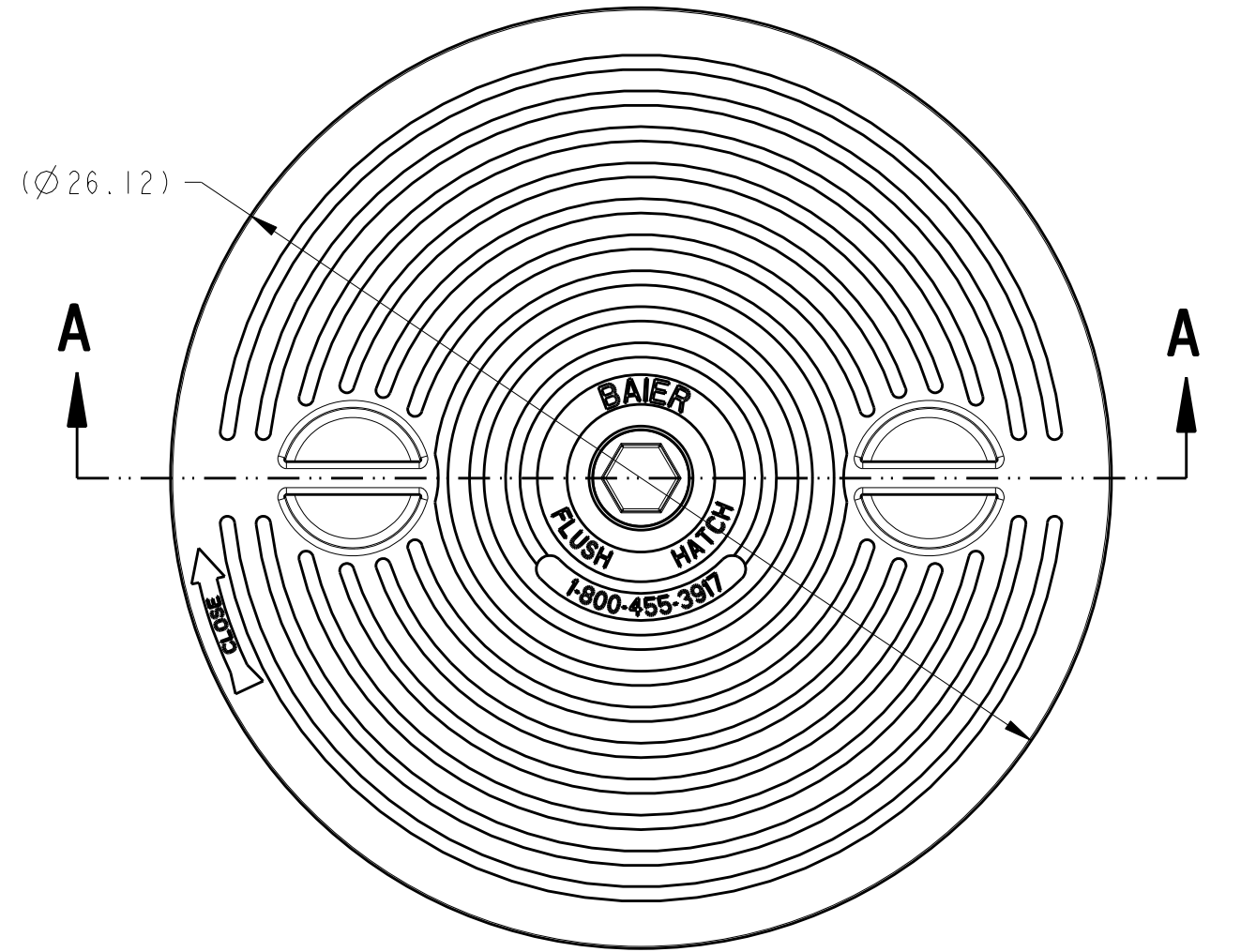


EXPLODED VIEW

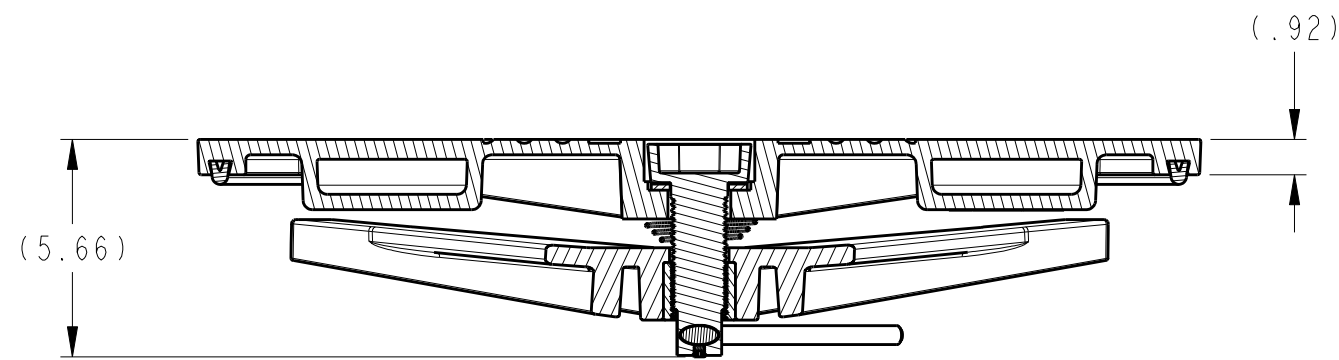


BAIER MARINE Co., Inc. 2920 Airway Ave., Costa Mesa, CA 92626		DWN DT	DWG NO. SCALE	BFHR24A 1:4 SHEET	REV 2 OF 3	A
--	--	-----------	------------------	----------------------	---------------	---

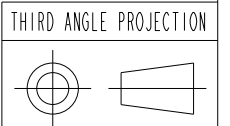
REVISIONS					
REV	ECN	ECR-TN	DESCRIPTION	DATE	APR
A	16-00209	N/A	SEE SHEET 1	08/19/16	RCL



TOP VIEW



SECTION A-A



BAIER MARINE Co., Inc. 2920 Airway Ave., Costa Mesa, CA 92626		DWN DT	DWG NO. BFHR24A SCALE 1:5 SHEET	REV A 3 OF 3
--	--	-----------	------------------------------------	-----------------