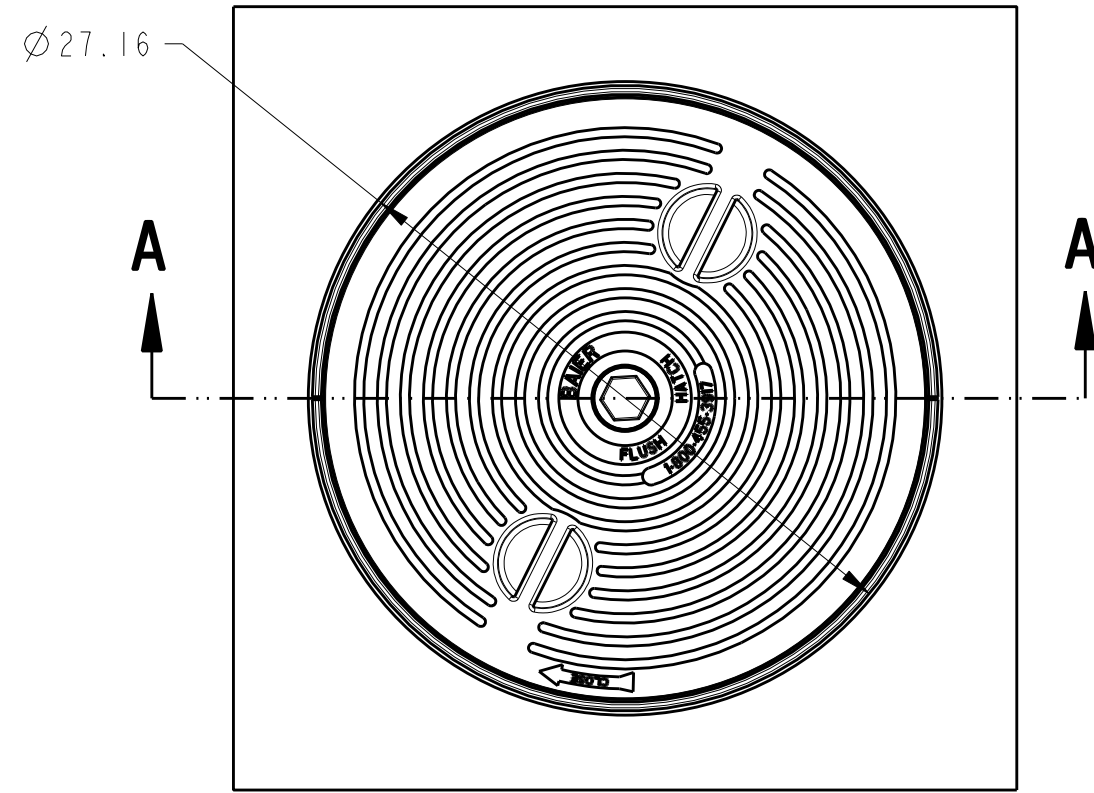
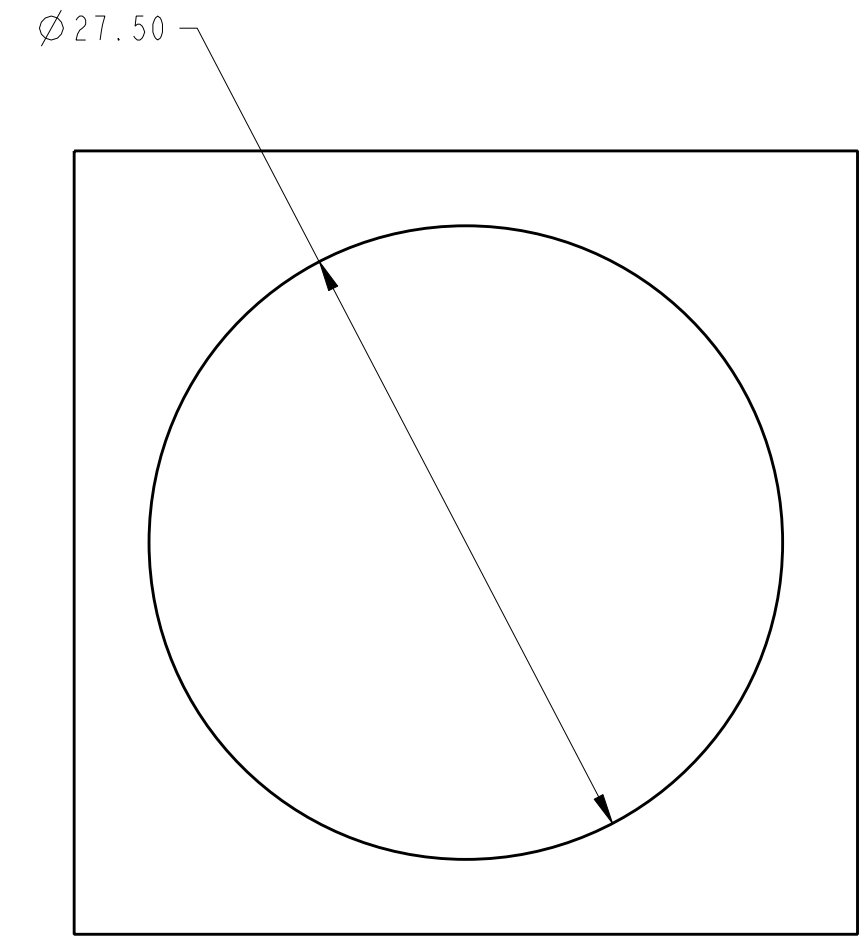


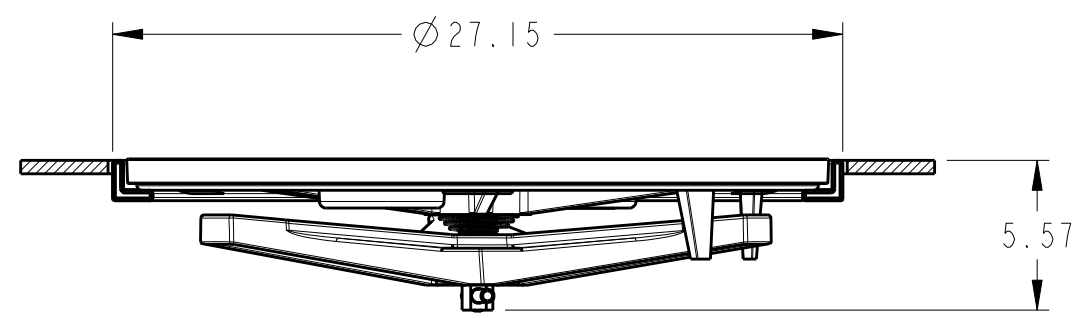
REVISIONS					
REV	ECN	ECR-TN	DESCRIPTION	DATE	APR
A	16-00209	N/A	INITIAL RELEASE	08/19/16	RCL



TOP VIEW
SCALE 3:25

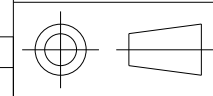


CUTOUT DIMENSION VIEW
SCALE 3:25



SECTION A-A
SCALE 7:50

PRO/E
THIRD ANGLE PROJECTION



THE INFORMATION CONTAIN IN THIS DOCUMENT IS PROPRIETARY AND SHALL NOT BE REPRODUCED OR USED FOR ANY PURPOSE WITHOUT THE WRITTEN APPROVAL OF BAIER MARINE CO., INC.

BAIER
2920 Airway Ave., Costa Mesa, CA 92626
TITLE HATCH ASSY, AL-SS 24" ROUND

UMC P/N REF 08861-181C	DWN	BAE	DT	02/12/16	SIZE B	DWG NO. BFHR24A-SS	REV A
	CK		DT		SCALE 1:5 AND NOTED		SHEET 1 OF 1
	APR		DT				