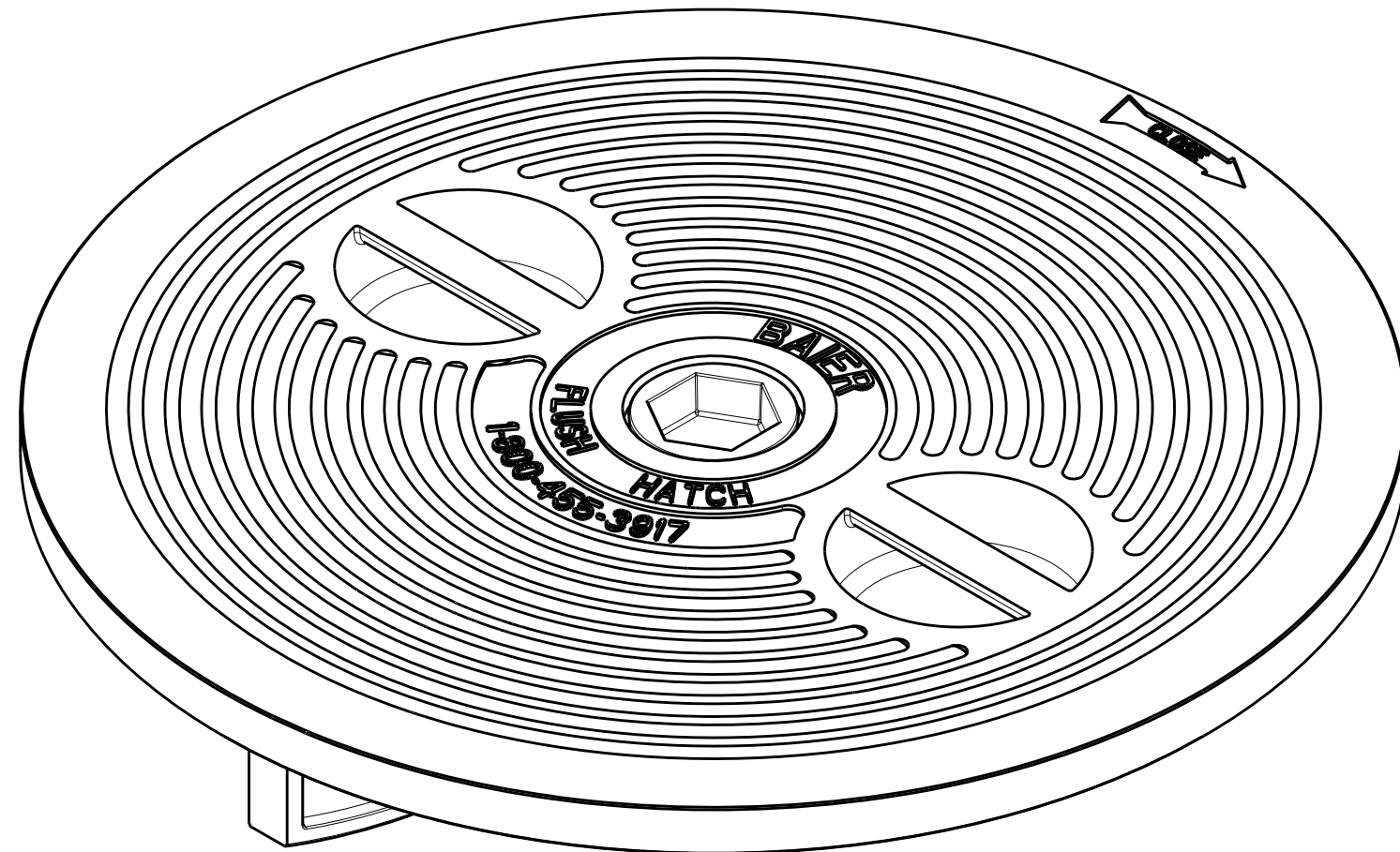

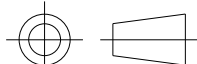


REVISIONS					
REV	ECN	ECR-TN	DESCRIPTION	DATE	APR
A	16-00209	N/A	INITIAL RELEASE	08/19/16	RCL



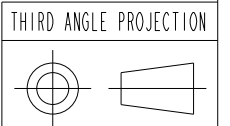
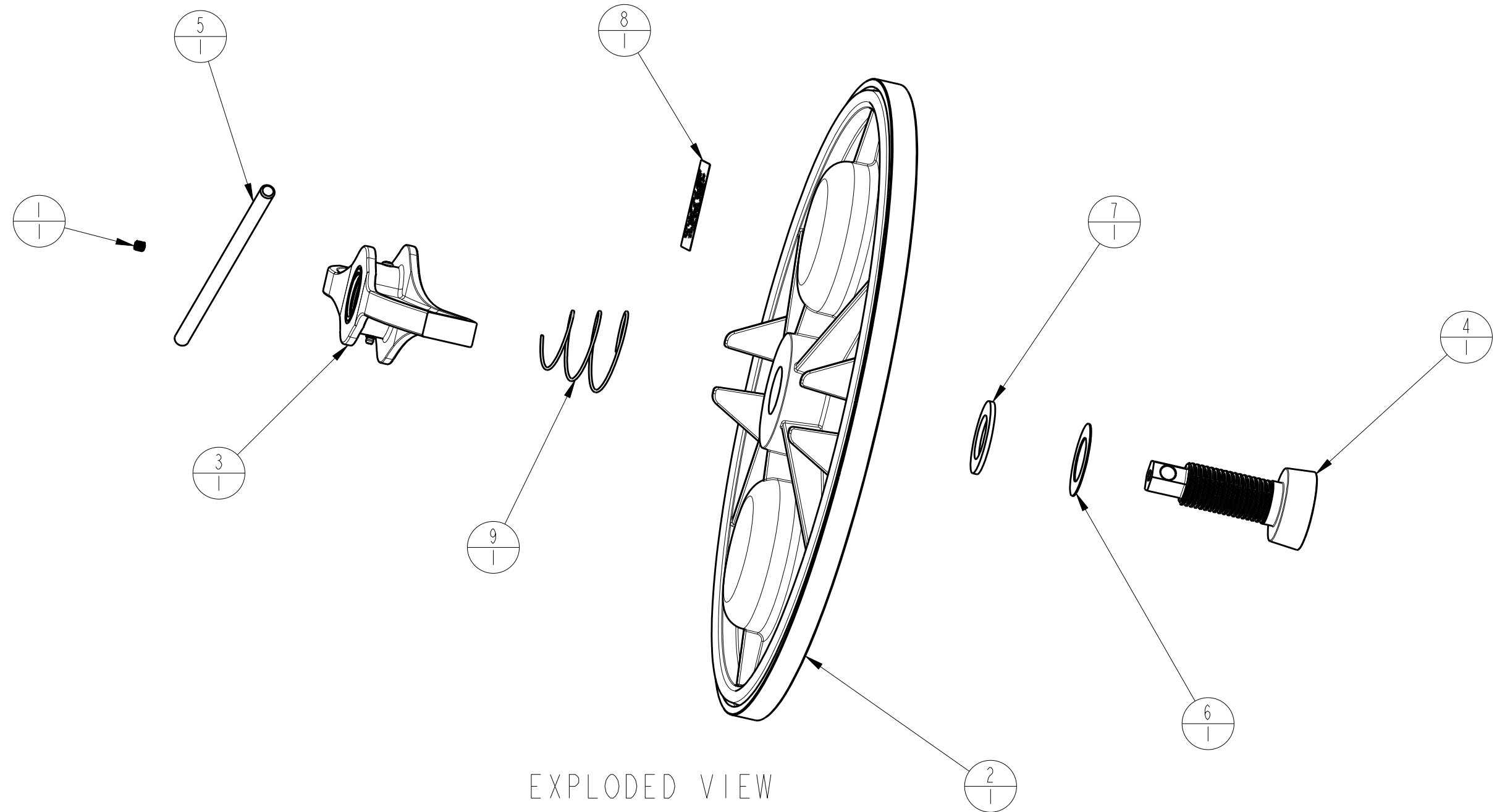
ISOMETRIC VIEW

QTY	DESCRIPTION	PART NO	ITEM
1	SPRING	08861-805A	9
1	DECAL, HATCH LUB	08861-710A	8
1	GASKET, 1.50" ID	08861-701A	7
1	WASHER, FLAT 1.50" ID SS	08861-206A	6
1	ROD, .50" DIA X 12" LG	08861-205A	5
1	BOLT, CENTER THREADED	08861-204A	4
1	STRONGBACK ASSY, ST, 20" INSERT	08861-198B	3
1	COVER KIT, GASKET, STL #286-1, 20"	08861-193B	2
1	SCREW, SET 5/16-18 X 5/16 SS	06122-801B	1

PRO/E THIRD ANGLE PROJECTION		THE INFORMATION CONTAIN IN THIS DOCUMENT IS PROPRIETARY AND SHALL NOT BE REPRODUCED OR USED FOR ANY PURPOSE WITHOUT THE WRITTEN APPROVAL OF BAIER MARINE CO., INC.		 2920 Airway Ave., Costa Mesa, CA 92626	
		DWN BAE DT 01/07/16 CK DT APR DT		TITLE COVER ASSY., STL #286-1, 20" SIZE B DWG NO. BFHR20S SCALE 7:20 AND NOTED SHEET 1 OF 3	

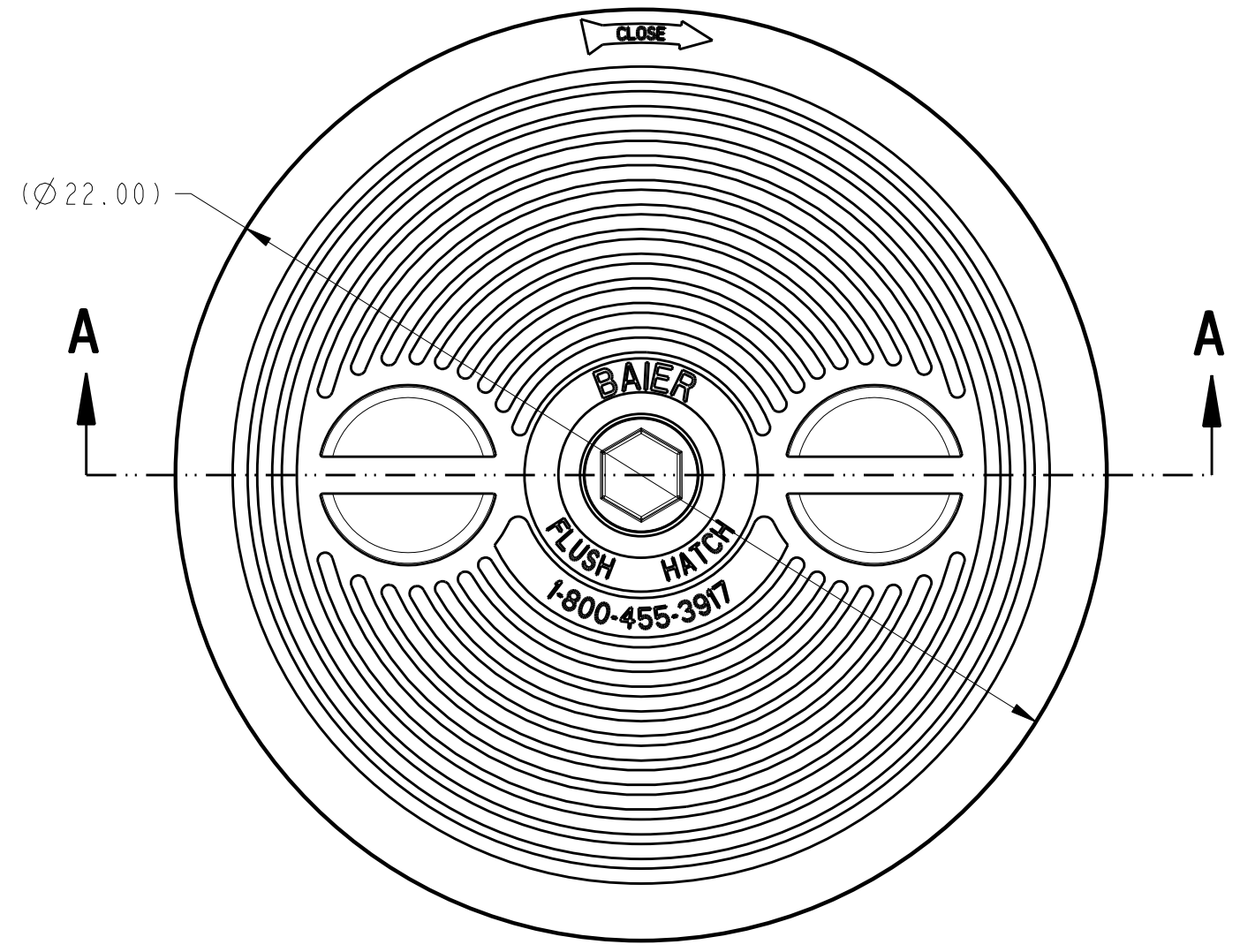
UMC P/N REF	08861-192A
-------------	------------

REVISIONS					
REV	ECN	ECR-TN	DESCRIPTION	DATE	APR
A	16-00209	N/A	SEE SHEET 1	08/19/16	RCL

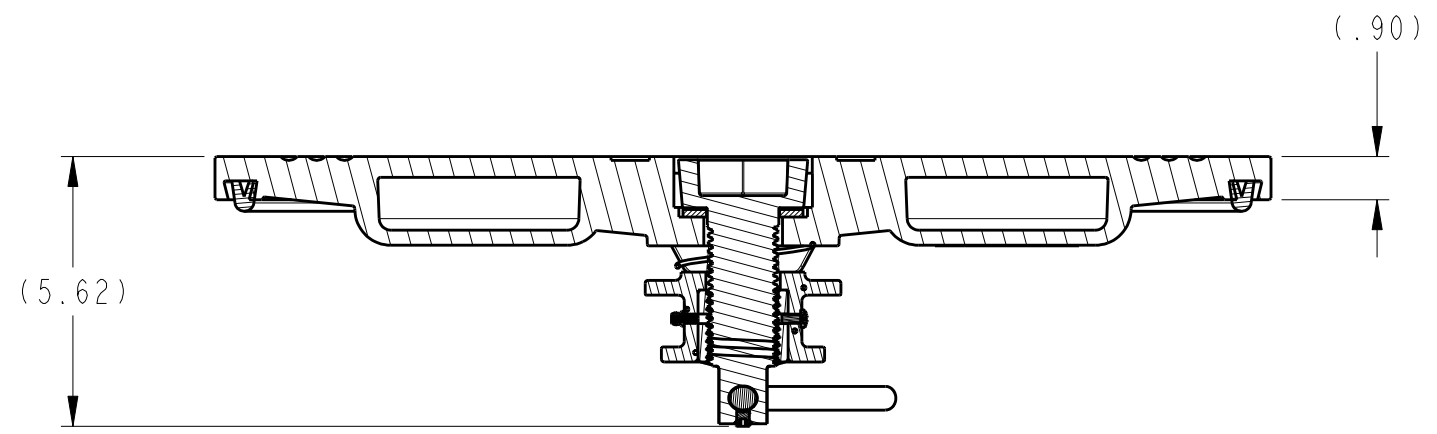


BAIER MARINE Co., Inc. 2920 Airway Ave., Costa Mesa, CA 92626		DWN DT	DWG NO. BFHR20S SCALE 1:4 SHEET	REV A 2 OF 3
--	--	-----------	------------------------------------	-----------------

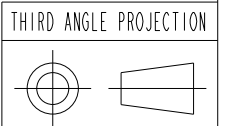
REVISIONS				DATE	APR
REV	ECN	ECR-TN	DESCRIPTION		
A	16-00209	N/A	SEE SHEET 1	08/19/16	RCL



TOP VIEW



SECTION A-A



BAIER MARINE Co., Inc. 2920 Airway Ave., Costa Mesa, CA 92626		DWN DT	DWG NO. SCALE	BFHR20S 1:4 SHEET	REV 3 OF 3	A
--	--	-----------	------------------	----------------------	---------------	---