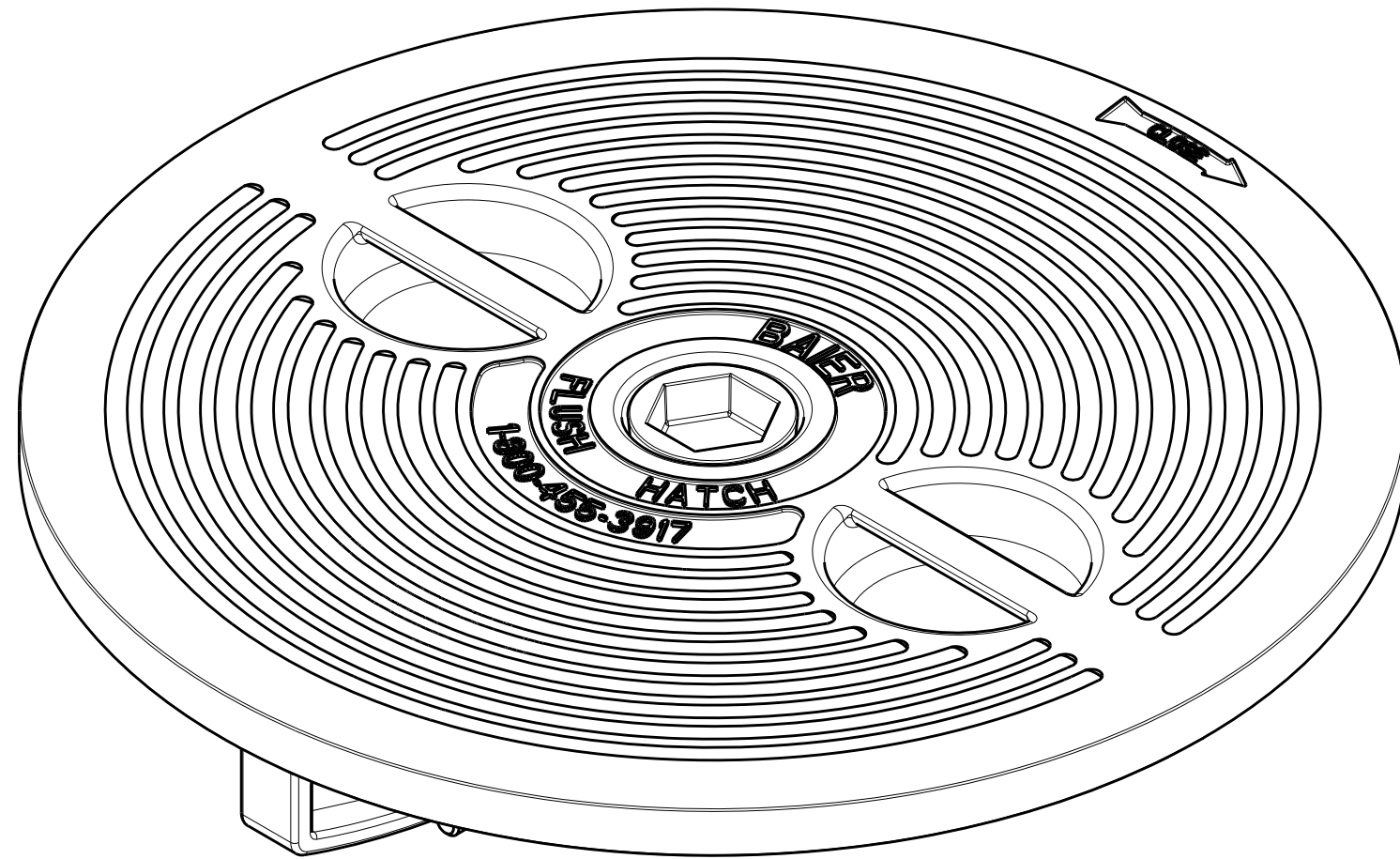

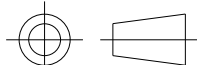


REVISIONS					
REV	ECN	ECR-TN	DESCRIPTION	DATE	APR
A	16-00209	N/A	INITIAL RELEASE	08/19/16	RCL

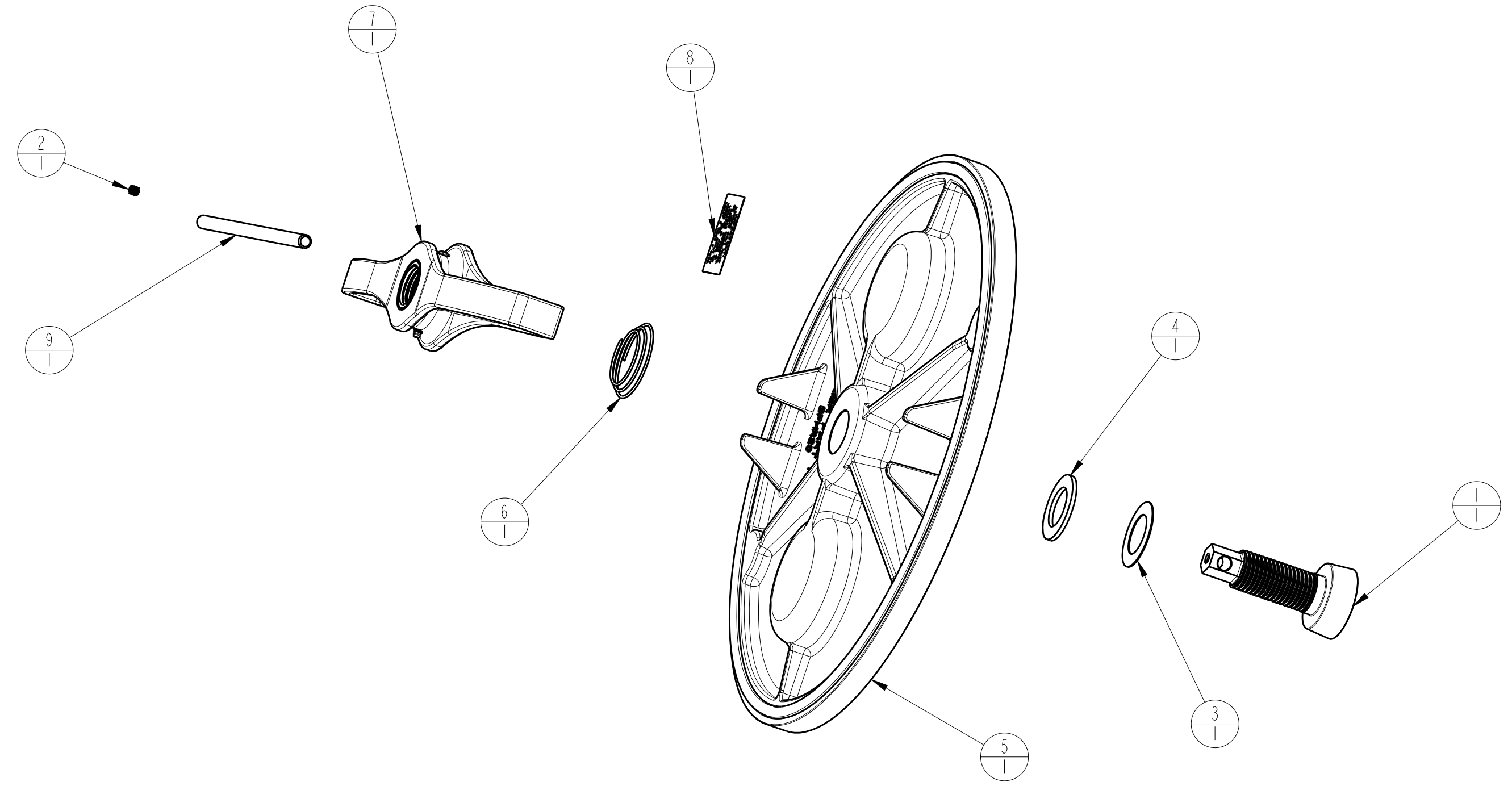


ISOMETRIC VIEW

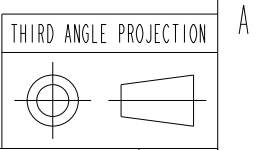
QTY	DESCRIPTION	PART NO	ITEM
1	ROD, .50" DIA X 12" LG	08861-205A	9
1	DECAL, HATCH LUB	08861-710A	8
1	STRONGBACK ASSY, AL, 20" BRONZE	08861-198A	7
1	SPRING	08861-805A	6
1	COVER-GASKET KIT, AL #286-1, 20"	08861-193A	5
1	GASKET, 1.50" ID	08861-701A	4
1	WASHER, FLAT 1.50" ID SS	08861-206A	3
1	SCREW, SET 5/16-18 X 5/16 SS	06122-801B	2
1	BOLT, CENTER THREADED	08861-204A	1

PRO/E THIRD ANGLE PROJECTION	THE INFORMATION CONTAIN IN THIS DOCUMENT IS PROPRIETARY AND SHALL NOT BE REPRODUCED OR USED FOR ANY PURPOSE WITHOUT THE WRITTEN APPROVAL OF BAIER MARINE CO., INC.		 2920 Airway Ave., Costa Mesa, CA 92626	
	TITLE COVER ASSY, AL, #286-1, 20"		SIZE B	DWG NO. BFHR20A
UMC P/N REF 08861-192A		DWN BAE DT 01/07/16	SCALE 7:20 AND NOTED	REV A
		CK DT	SHEET	1 OF 3
		APR DT		

REVISIONS				DATE	APR
REV	ECN	ECR-TN	DESCRIPTION		
A	16-00209	N/A	SEE SHEET 1	08/19/16	RCL

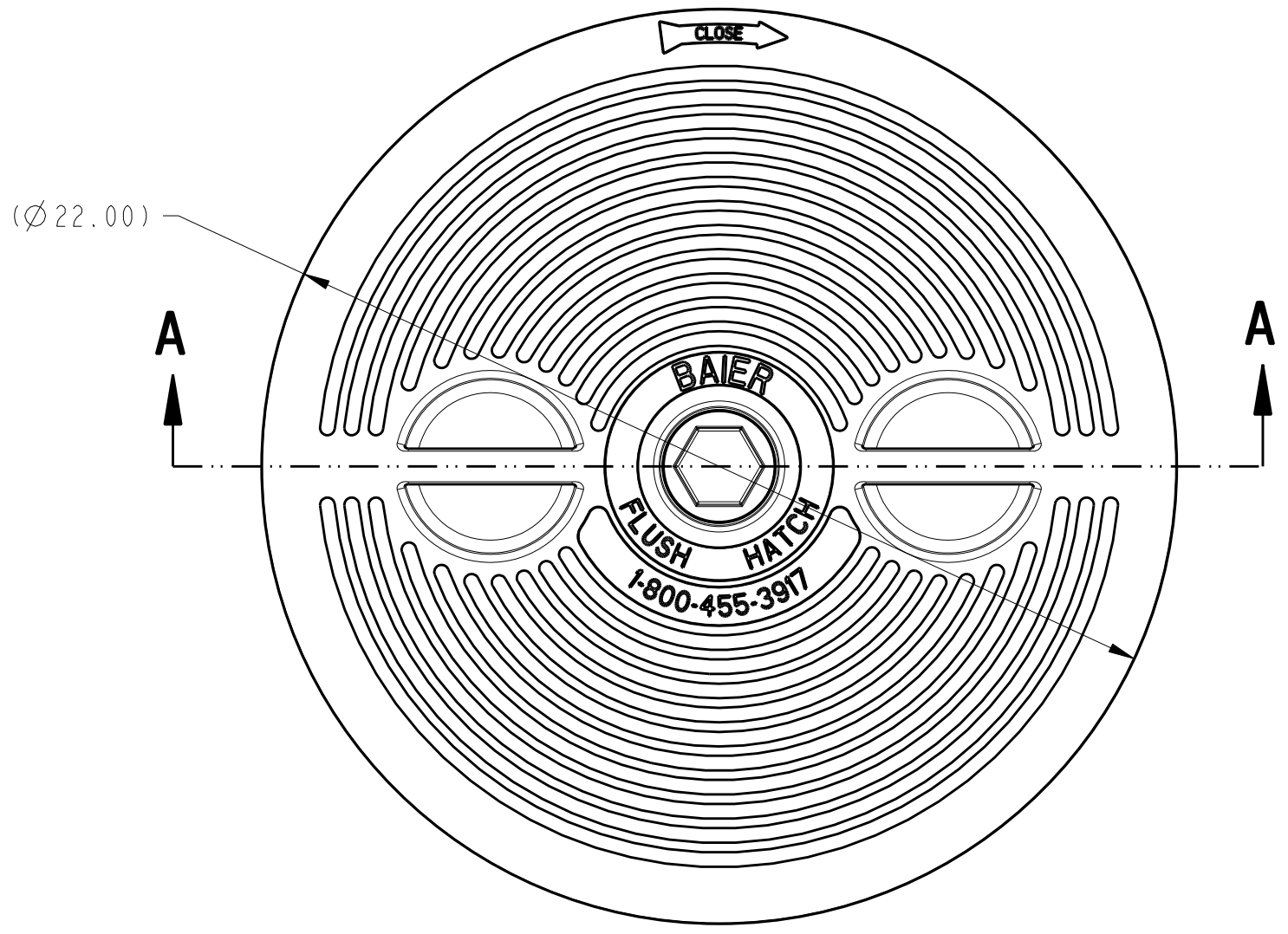


EXPLODED VIEW

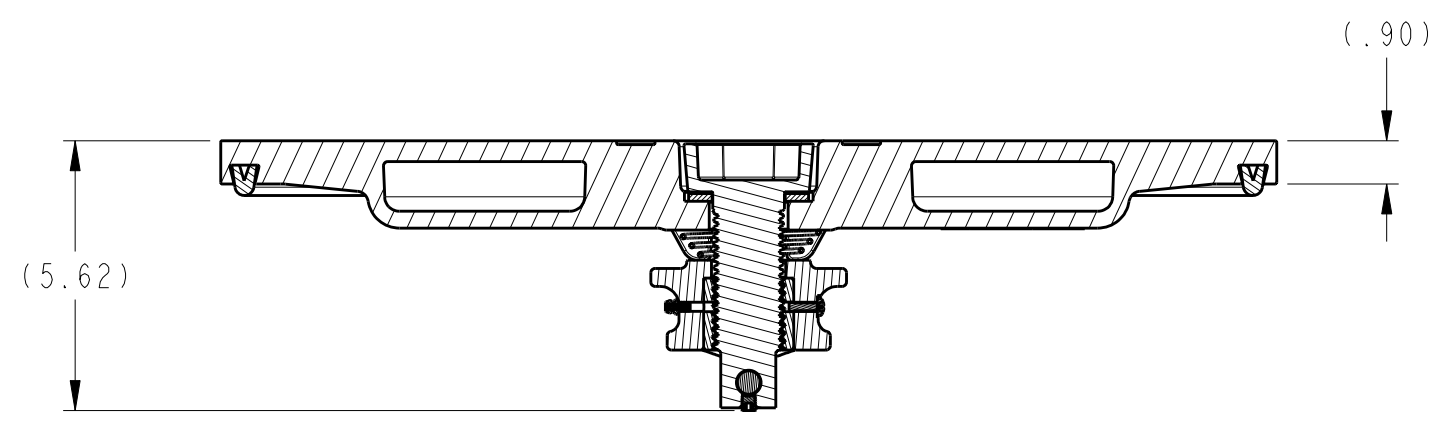


BAIER MARINE Co., Inc. 2920 Airway Ave., Costa Mesa, CA 92626		DWN DT	DWG NO. BFHR20A SCALE 1:4 SHEET	REV A 2 OF 3
--	--	-----------	------------------------------------	-----------------

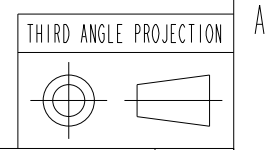
REVISIONS					
REV	ECN	ECR-TN	DESCRIPTION	DATE	APR
A	16-00209	N/A	SEE SHEET 1	08/19/16	RCL



TOP VIEW



SECTION A-A



BAIER MARINE Co., Inc. 2920 Airway Ave., Costa Mesa, CA 92626		DWN DT	DWG NO. BFHR20A SCALE 1:4 SHEET	REV A 3 OF 3
--	--	-----------	------------------------------------	-----------------