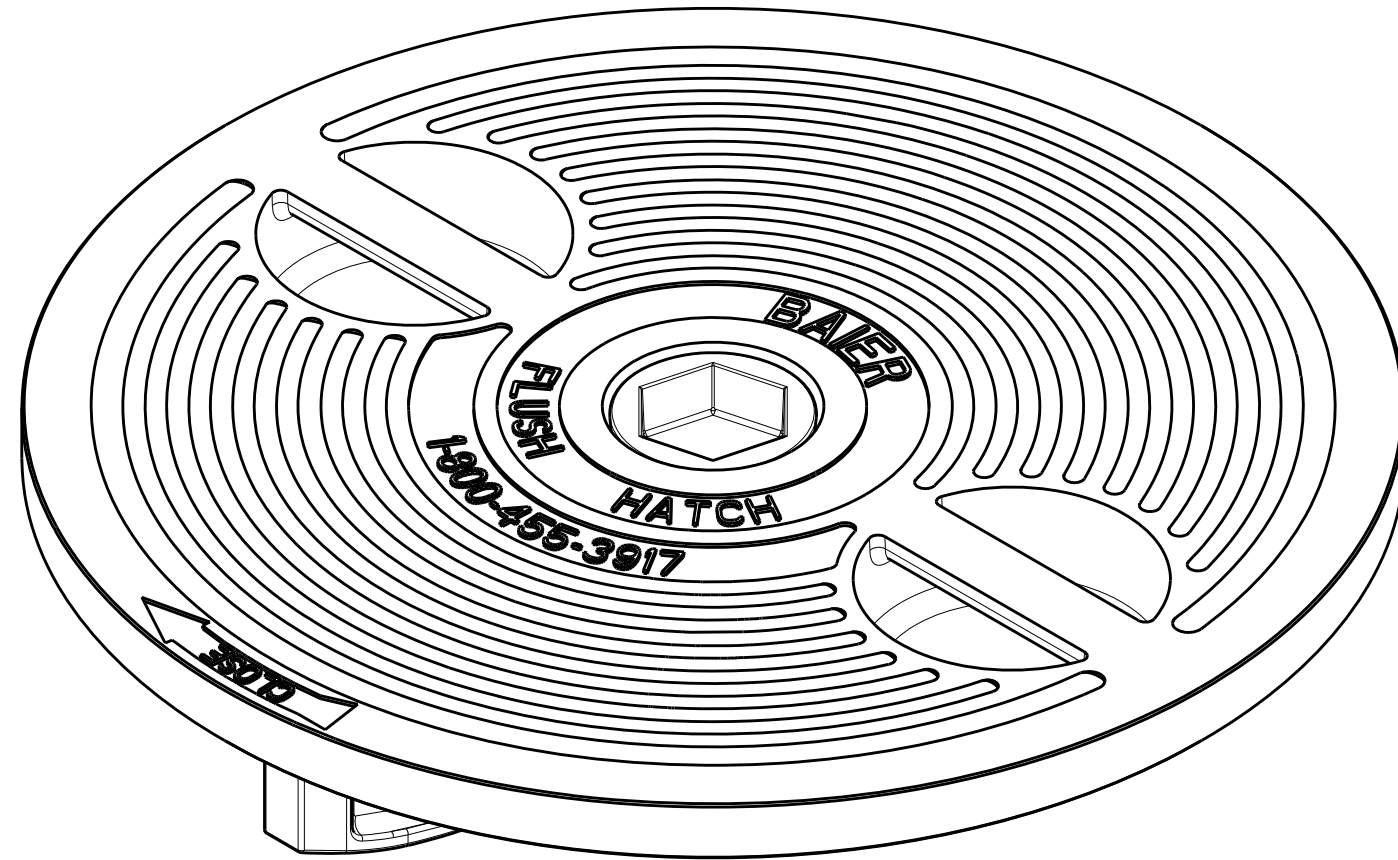



REVISIONS					
REV	ECN	ECR-TN	DESCRIPTION	DATE	APR
A	16-00209	N/A	INITIAL RELEASE	08/19/16	RCL

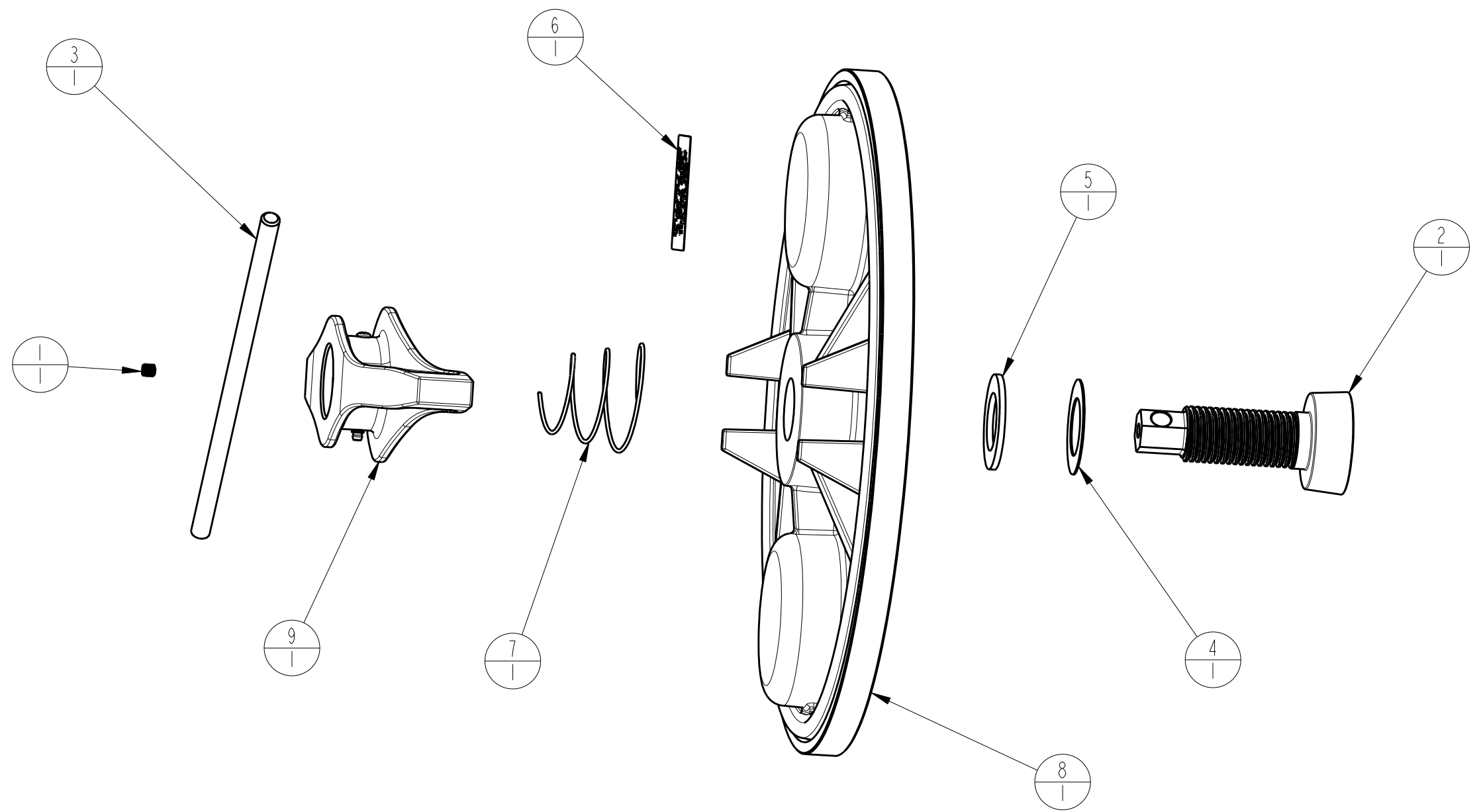


ISOMETRIC VIEW

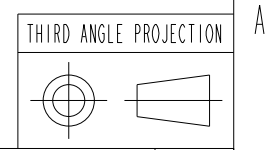
QTY	DESCRIPTION	PART NO	ITEM
1	STRONGBACK ASSY, ST, 16" BRONZE	08863-128B	9
1	COVER KIT - GASKET STL #286-1, 16"	08863-123B	8
1	SPRING	08861-805A	7
1	DECAL, HATCH LUB	08861-710A	6
1	GASKET, 1.50" ID	08861-701A	5
1	WASHER, FLAT 1.50" ID SS	08861-206A	4
1	ROD, .50" DIA X 12" LG	08861-205A	3
1	BOLT, CENTER THREADED	08861-204A	2
1	SCREW, SET 5/16-18 X 5/16 SS	06122-801B	1

PRO/E THIRD ANGLE PROJECTION		THE INFORMATION CONTAIN IN THIS DOCUMENT IS PROPRIETARY AND SHALL NOT BE REPRODUCED OR USED FOR ANY PURPOSE WITHOUT THE WRITTEN APPROVAL OF BAIER MARINE CO., INC.		 2920 Airway Ave., Costa Mesa, CA 92626	
UMC P/N REF 08863-122B		DWN BAE DT 01/07/16 CK DT APR DT		TITLE COVER ASSY, STL #286-1, 16" SIZE B DWG NO. BFHR16S REV A	
		SCALE 2:5 AND NOTED		SHEET 1 OF 3	

REVISIONS					
REV	ECN	ECR-TN	DESCRIPTION	DATE	APR
A	16-00209	N/A	SEE SHEET 1	08/19/16	RCL

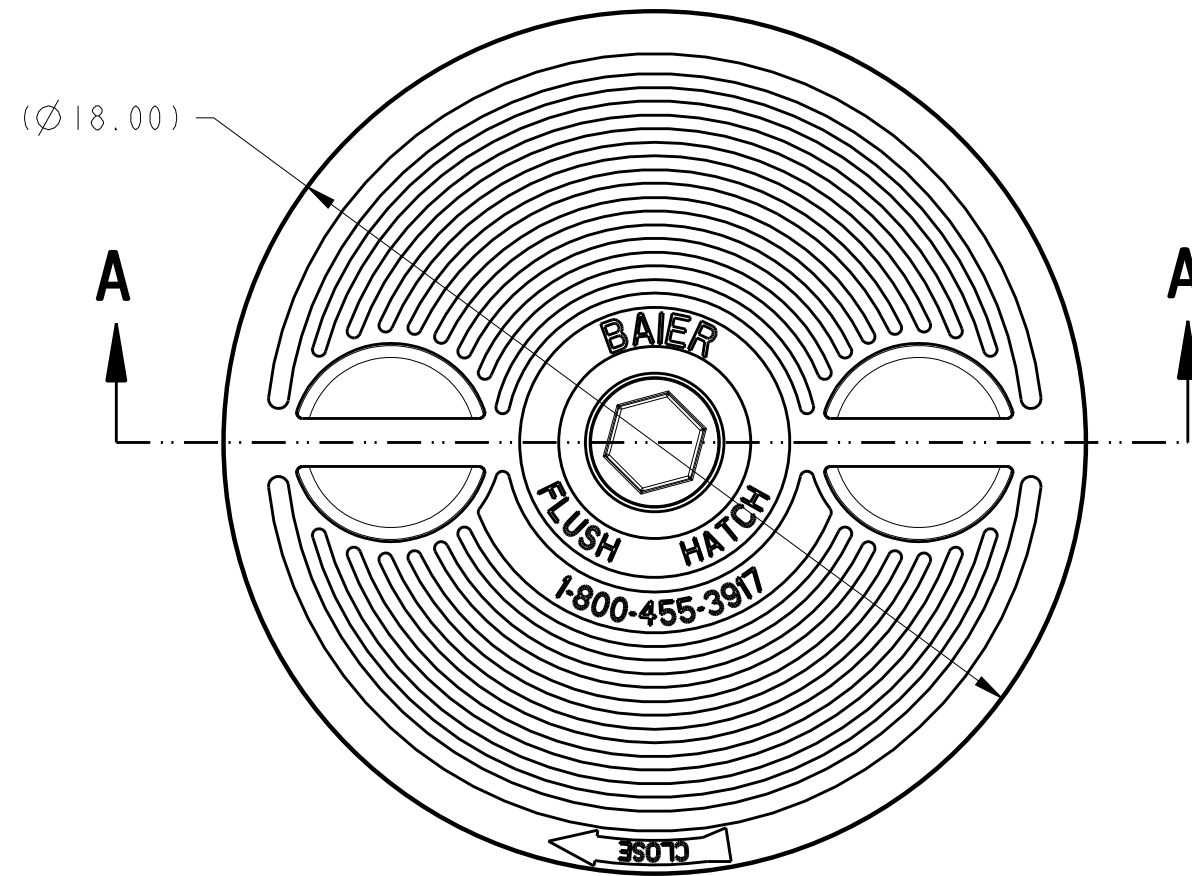


EXPLODED VIEW

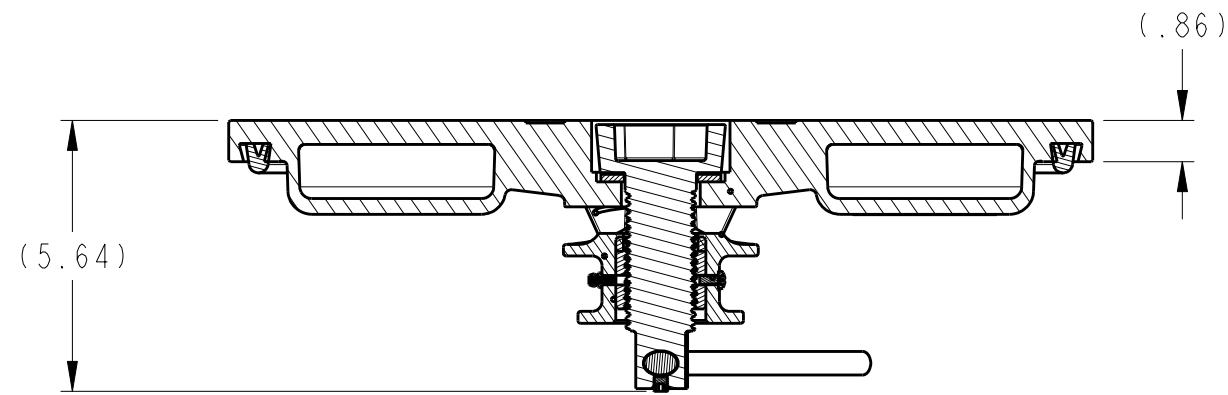


BAIER MARINE Co., Inc. 2920 Airway Ave., Costa Mesa, CA 92626		DWN DT	DWG NO. SCALE	BFHR16S 3:10 SHEET	REV 2 OF 3	A
------------------------------------------------------------------	--	-----------	------------------	-----------------------	---------------	---

REVISIONS					
REV	ECN	ECR-TN	DESCRIPTION	DATE	APR
A	16-00209	N/A	SEE SHEET 1	08/19/16	RCL

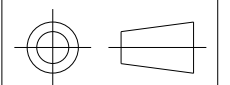


TOP VIEW



SECTION A-A

THIRD ANGLE PROJECTION



BAIER MARINE Co., Inc. 2920 Airway Ave., Costa Mesa, CA 92626		DWN DT	DWG NO. BFHR16S SCALE 1:4 SHEET	REV A 3 OF 3
------------------------------------------------------------------	--	-----------	------------------------------------	-----------------