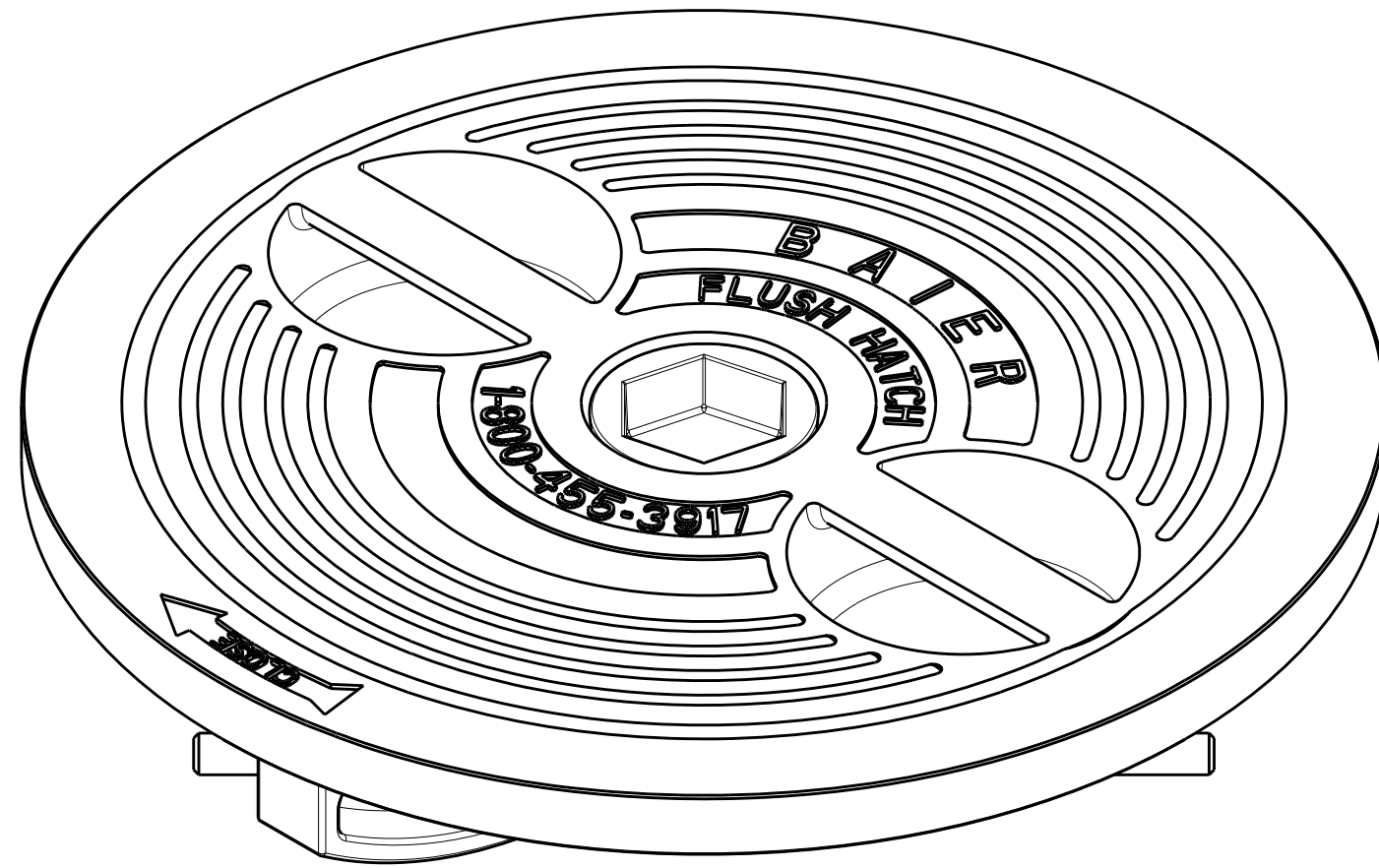



REVISIONS					
REV	ECN	ECR-TN	DESCRIPTION	DATE	APR
A	16-00209	N/A	INITIAL RELEASE	08/19/16	RCL

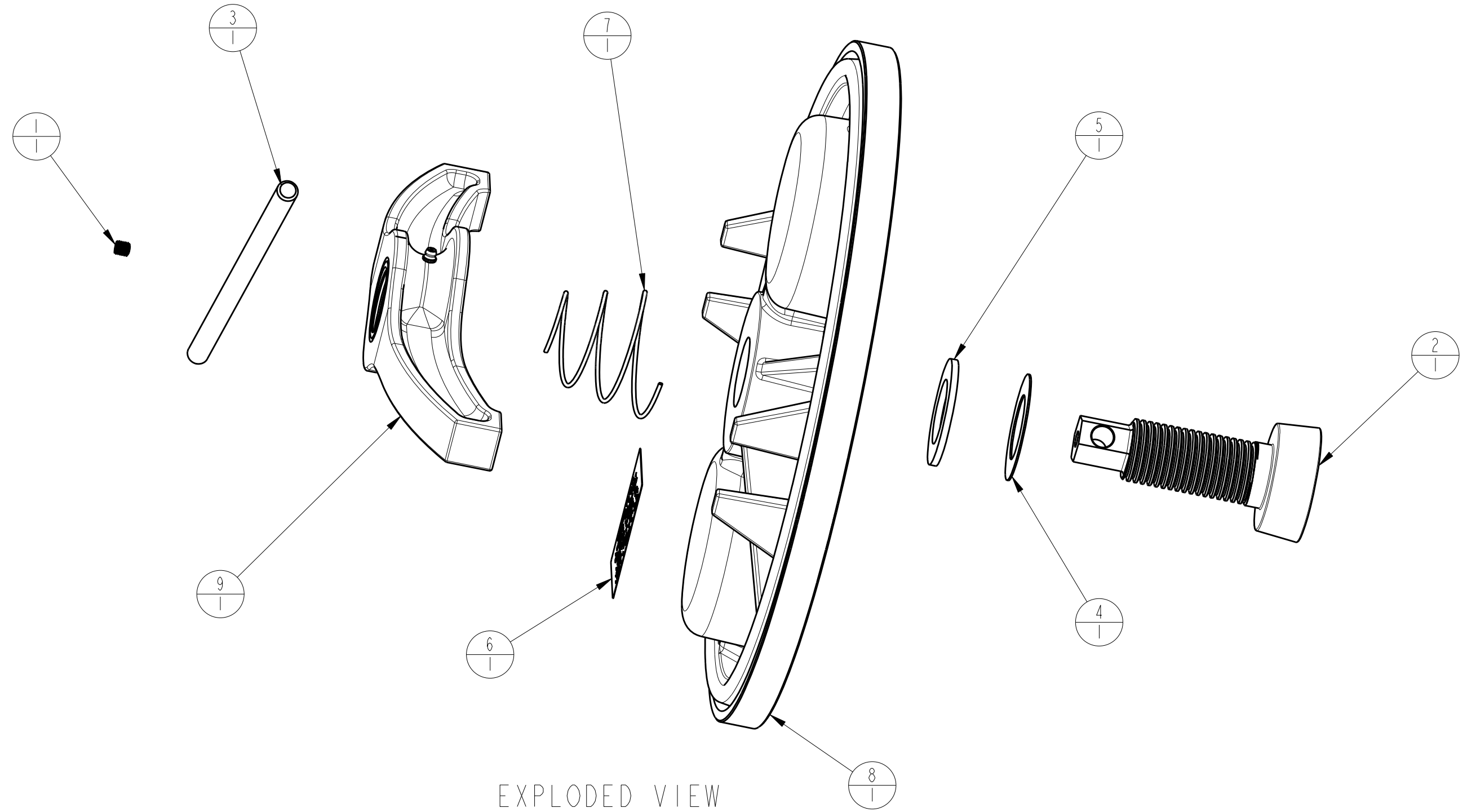


ISOMETRIC VIEW

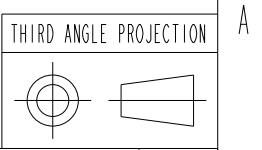
QTY	DESCRIPTION	PART NO	ITEM
1	STRONGBACK ASSY, AL, 14" BRONZE	08863-138A	9
1	COVER-GASKET KIT, AL #286-1, 14"	08863-133A	8
1	SPRING	08861-805A	7
1	DECAL, HATCH LUB	08861-710A	6
1	GASKET, 1.50" ID	08861-701A	5
1	WASHER, FLAT 1.50" ID SS	08861-206A	4
1	ROD, .50" DIA X 12" LG	08861-205A	3
1	BOLT, CENTER THREADED	08861-204A	2
1	SCREW, SET 5/16-18 X 5/16 SS	06122-801B	1

PRO/E THIRD ANGLE PROJECTION		THE INFORMATION CONTAIN IN THIS DOCUMENT IS PROPRIETARY AND SHALL NOT BE REPRODUCED OR USED FOR ANY PURPOSE WITHOUT THE WRITTEN APPROVAL OF BAIER MARINE CO., INC.		 2920 Airway Ave., Costa Mesa, CA 92626	
UMC P/N REF 08863-132A		DWN BAE DT 01/06/16 CK DT APR DT		TITLE COVER ASSY, AL #286-1, 14" SIZE B DWG NO. BFHR14A SCALE 9:20 AND NOTED SHEET 1 OF 3	

REVISIONS					
REV	ECN	ECR-TN	DESCRIPTION	DATE	APR
A	16-00209	N/A	SEE SHEET 1	08/19/16	RCL

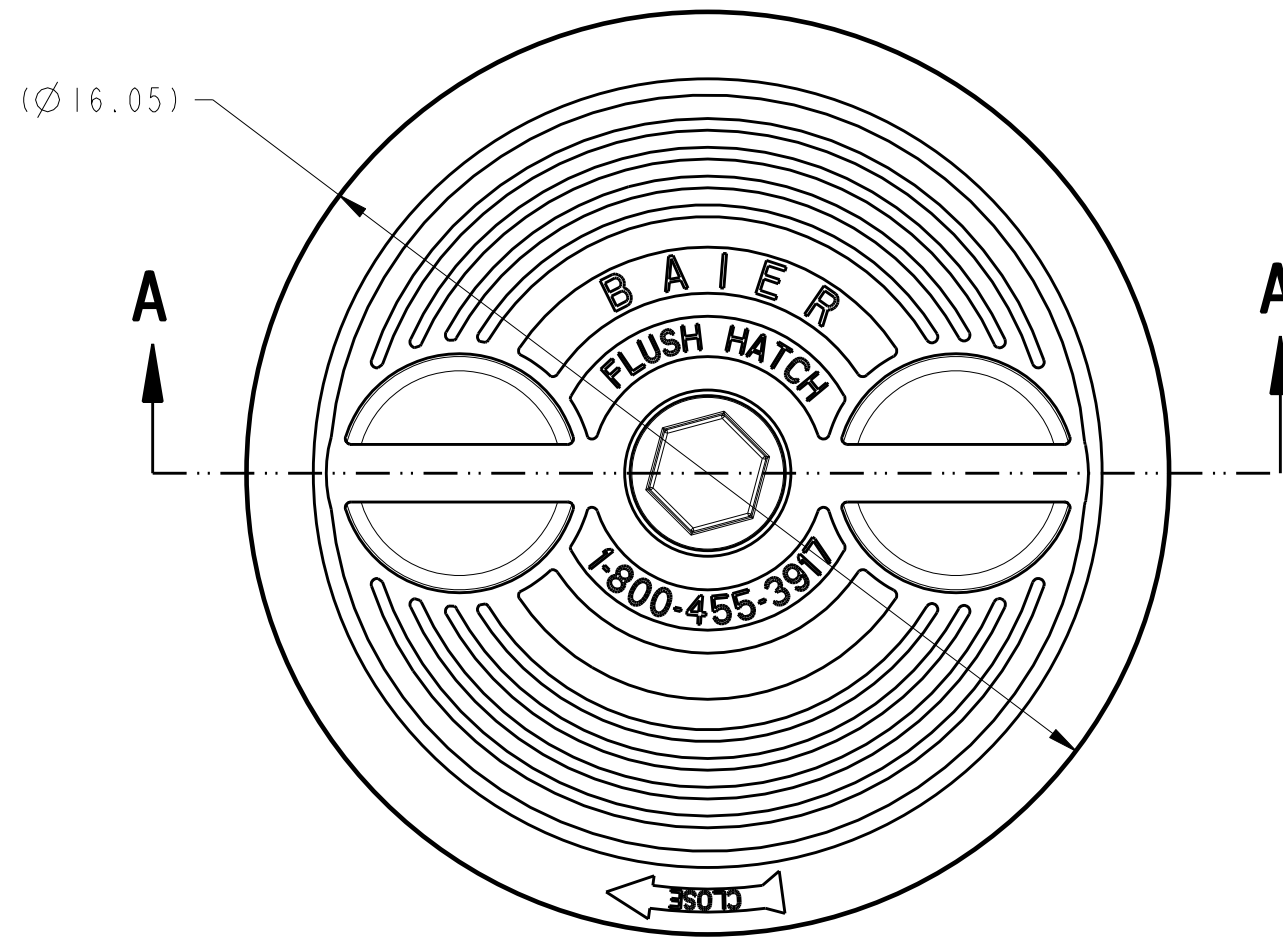


EXPLODED VIEW

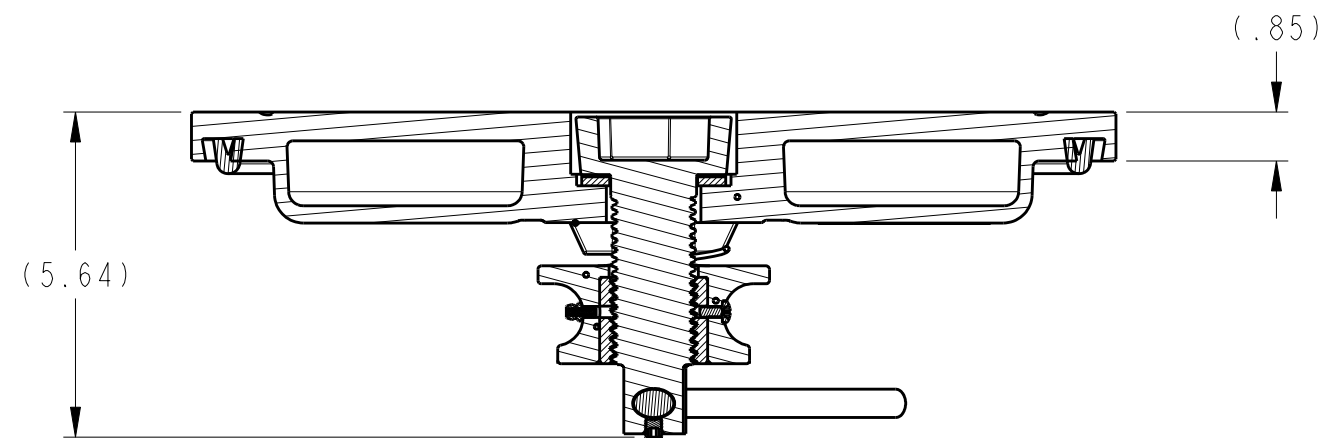


BAIER MARINE Co., Inc. 2920 Airway Ave., Costa Mesa, CA 92626		DWN DT	DWG NO. SCALE	BFHR14A 2:5 SHEET	REV 2 OF 3	A A
--	--	-----------	------------------	----------------------	---------------	--------

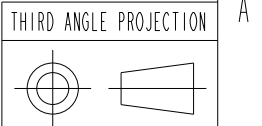
REVISIONS					
REV	ECN	ECR-TN	DESCRIPTION	DATE	APR
A	16-00209	N/A	SEE SHEET 1	08/19/16	RCL



TOP VIEW



SECTION A-A



BAIER MARINE Co., Inc. 2920 Airway Ave., Costa Mesa, CA 92626		DWN DT	DWG NO. BFHR14A SCALE 3:10 SHEET	REV A 3 OF 3
--	--	-----------	-------------------------------------	-----------------