

8

7

6

5

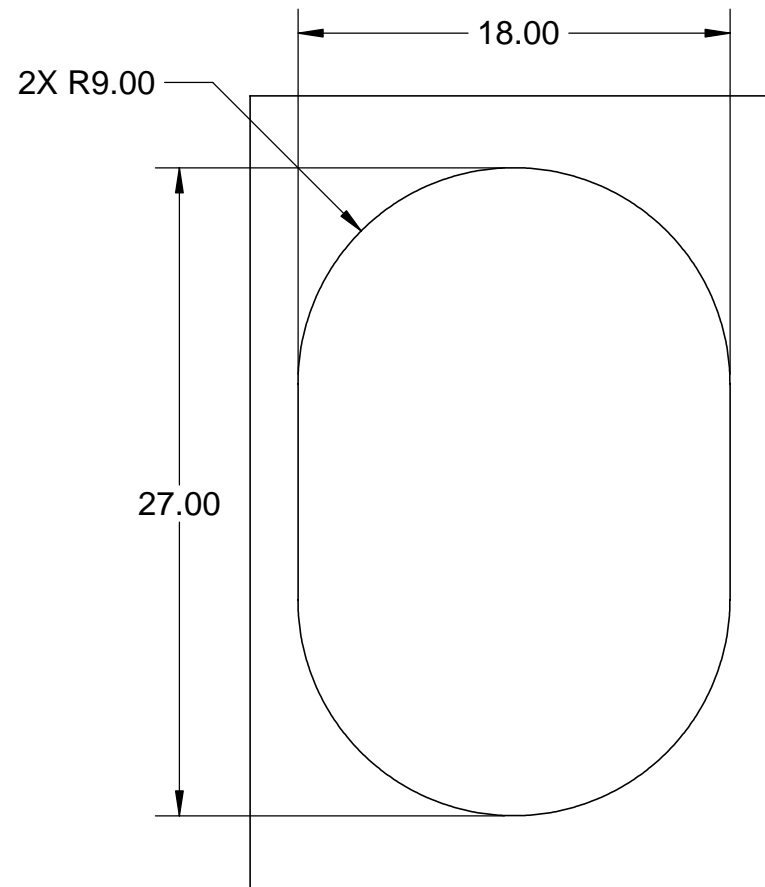
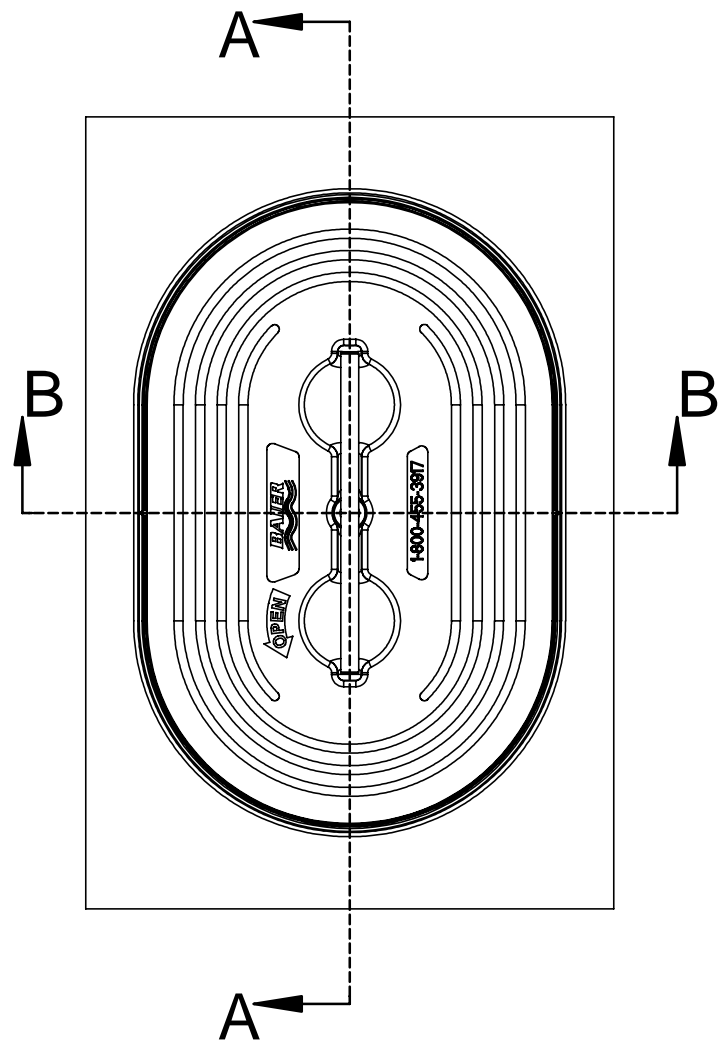
4

3

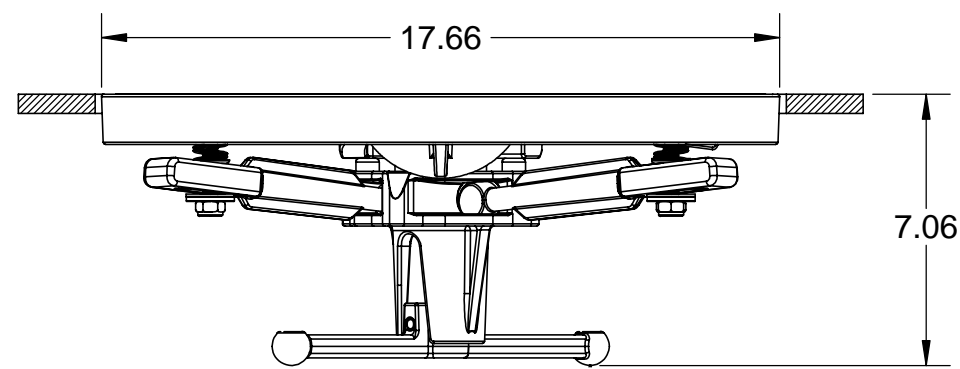
2

1

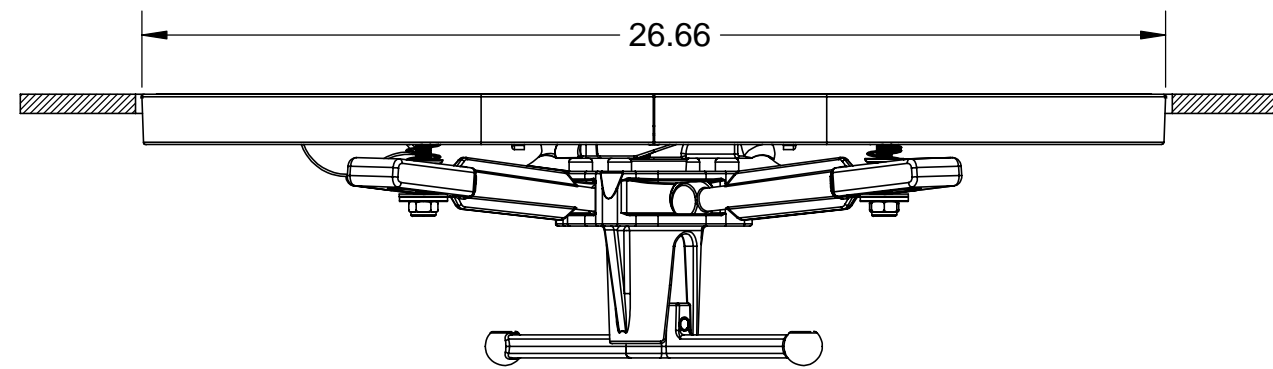
REVISIONS				
REV.	ECN	DESCRIPTION	DATE	APPROVED
A	20-00511	INITIAL RELEASE	04/29/20	RCL



CUTOUT DIMENSION VIEW



SECTION B-B
SCALE 1 : 5



SECTION A-A
SCALE 1 : 5

THIRD ANGLE PROJECTION



DWN: FH, 04/24/20. UMC P/N REF: 08864-101B

BAIER 2920 Airway Ave., Costa Mesa, CA 92626	SIZE	DWG. NO.	REV.
	B	BFHQTH15X24A/S	A
SCALE: 1:8 AND NOTED		SHEET 1 OF 1	

8

7

6

5

4

3

2

1