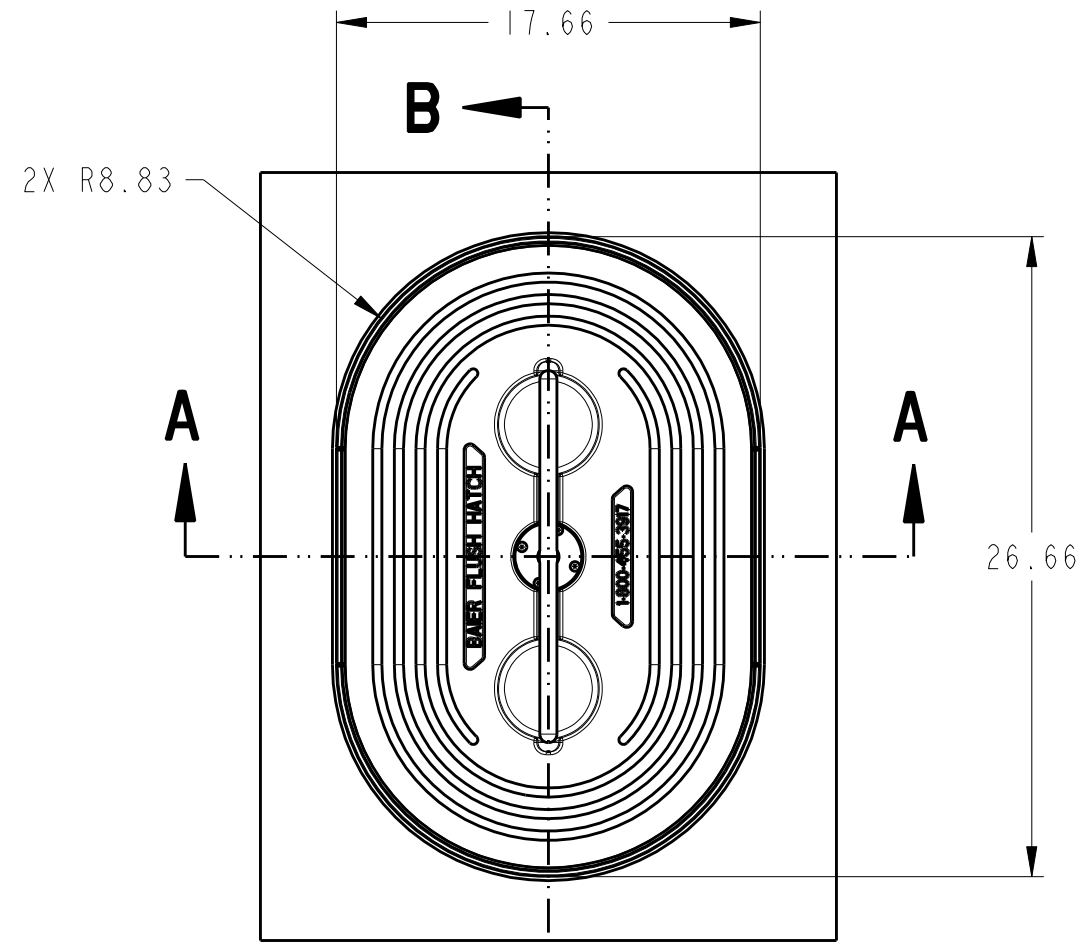
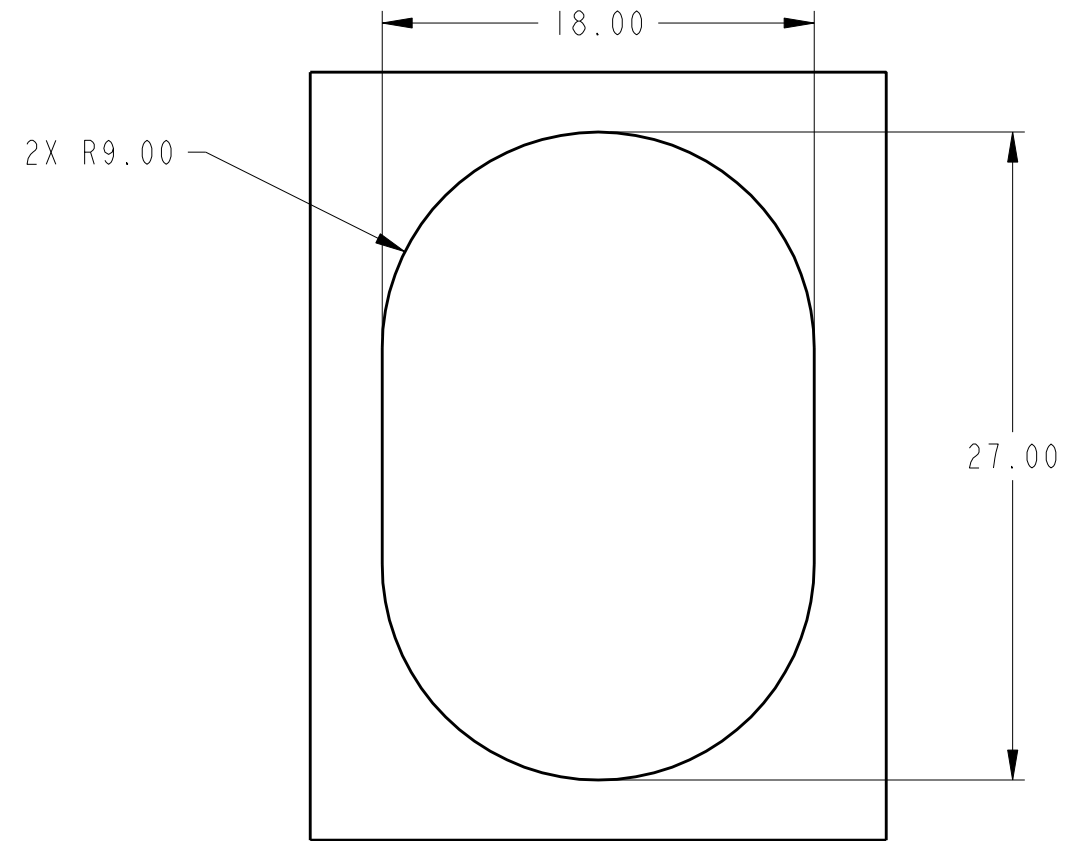


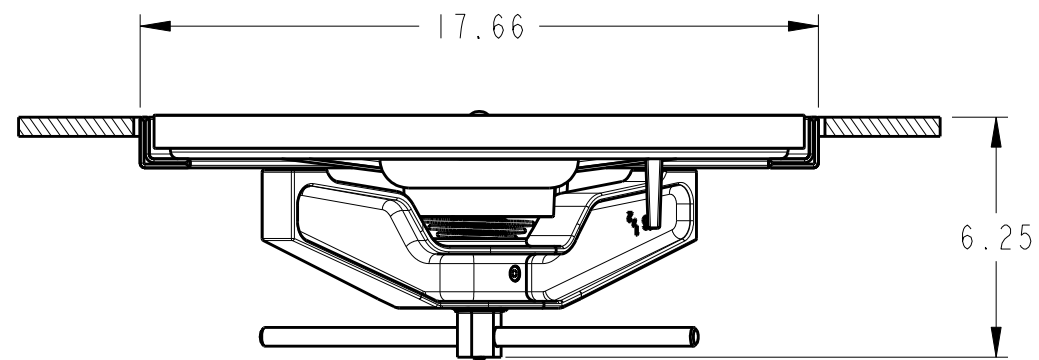
REVISIONS					
REV	ECN	ECR-TN	DESCRIPTION	DATE	APR
A	16-00209	N/A	INITIAL RELEASE	08/19/16	RCL



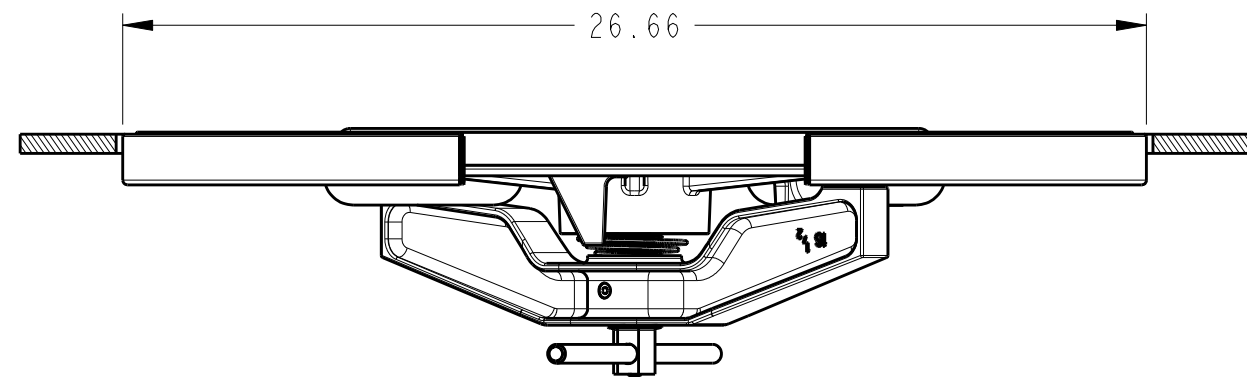
**TOP VIEW**  
SCALE 1:8



**CUTOUT DIMENSION VIEW**  
SCALE 1:8

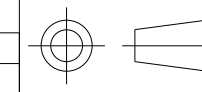


**SECTION A-A**  
SCALE 1:5



**SECTION B-B**

UMC P/N REF  
08861-111C



PRO/E  
THIRD ANGLE PROJECTION

THE INFORMATION CONTAIN IN THIS DOCUMENT IS PROPRIETARY AND SHALL NOT BE REPRODUCED OR USED FOR ANY PURPOSE WITHOUT THE WRITTEN APPROVAL OF BAIER MARINE CO., INC.

DWN	BAE	DT	01/05/16
CK		DT	
APR		DT	

**BAIER**  
2920 Airway Ave., Costa Mesa, CA 92626

TITLE HATCH ASSY, T-HANDLE  
AL-SS 15X24

SIZE B DWG NO. BFH0TH15X24A-SS REV A

SCALE 1:5 AND NOTED SHEET 1 OF 1