

8

7

6

5

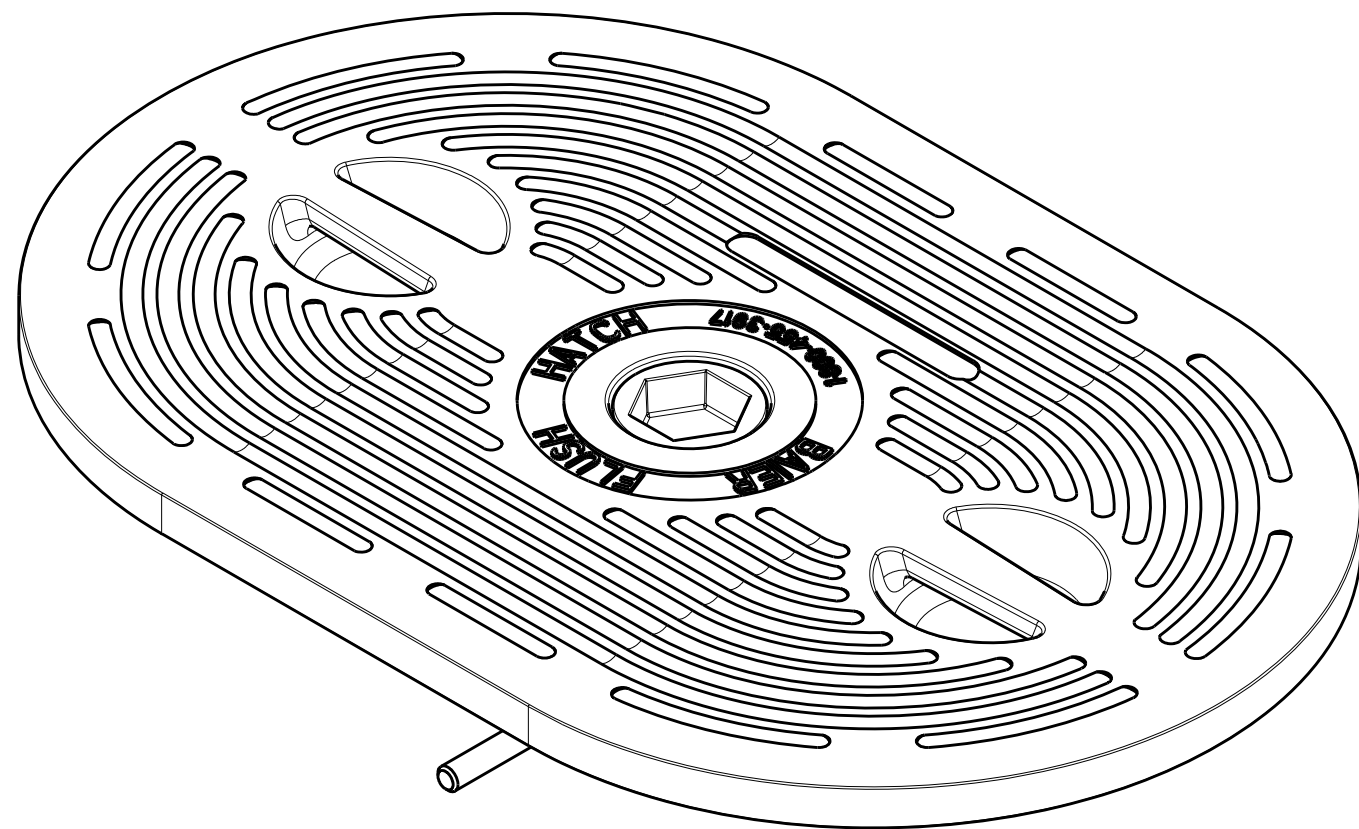
4

3

2

1

REVISIONS					
REV	ECN	ECR-TN	DESCRIPTION	DATE	APR
A	16-00209	N/A	INITIAL RELEASE	08/19/16	RCL



ISOMETRIC VIEW

QTY	DESCRIPTION	PART NO	ITEM
1	SPRING	08861-805A	9
1	ROD, .50" DIA X 12" LG	08861-205A	8
1	DECAL, HATCH LUB	08861-710A	7
1	STRONGBACK ASY16.5"HEX BRONZE	08861-108B	6
1	COVER KIT, GASKET, STL #541 15 X 24	08861-103B	5
1	GASKET, 1.50" ID	08861-701A	4
1	WASHER, FLAT 1.50" ID SS	08861-206A	3
1	SCREW, SET 5/16-18 X 5/16 SS	06122-801B	2
1	BOLT, CENTER THREADED	08861-204A	1

PRO/E THIRD ANGLE PROJECTION	THE INFORMATION CONTAIN IN THIS DOCUMENT IS PROPRIETARY AND SHALL NOT BE REPRODUCED OR USED FOR ANY PURPOSE WITHOUT THE WRITTEN APPROVAL OF BAIER MARINE CO., INC.			
	2920 Airway Ave., Costa Mesa, CA 92626		TITLE COVER ASSY., STEEL #541, 15" X 24"	
UMC P/N REF 08861-102B		DWN BAE DT 01/08/16 CK DT APR DT	SIZE B DWG NO. BFH015X24S	REV A
SCALE 3:10 AND NOTED			SHEET 1 OF 3	

8

7

6

5

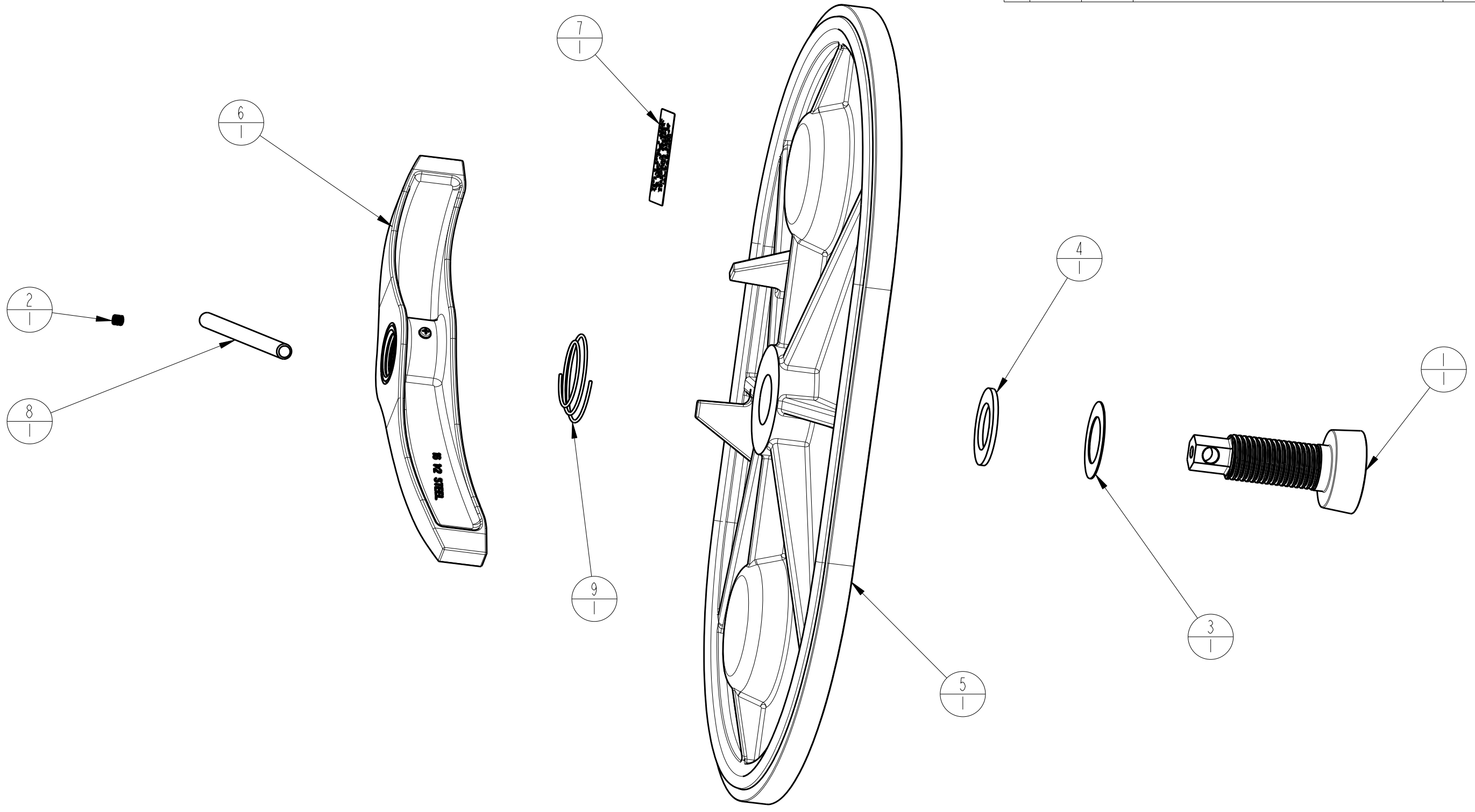
4

3

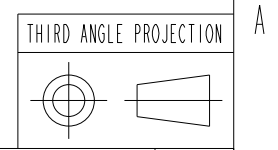
2

1

REVISIONS				DATE	APR
REV	ECN	ECR-TN	DESCRIPTION		
A	16-00209	N/A	SEE SHEET 1	08/19/16	RCL

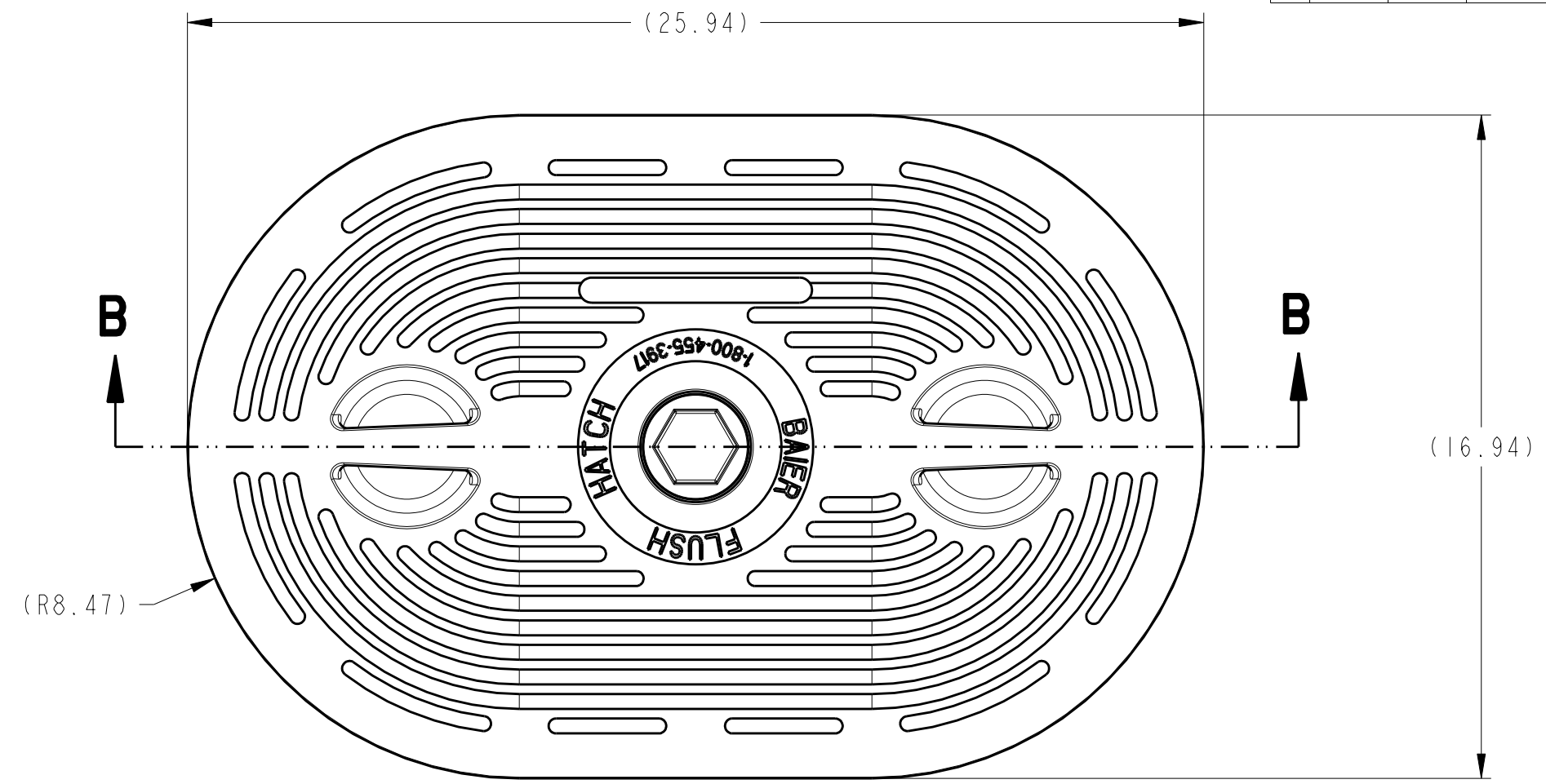


EXPLODED VIEW

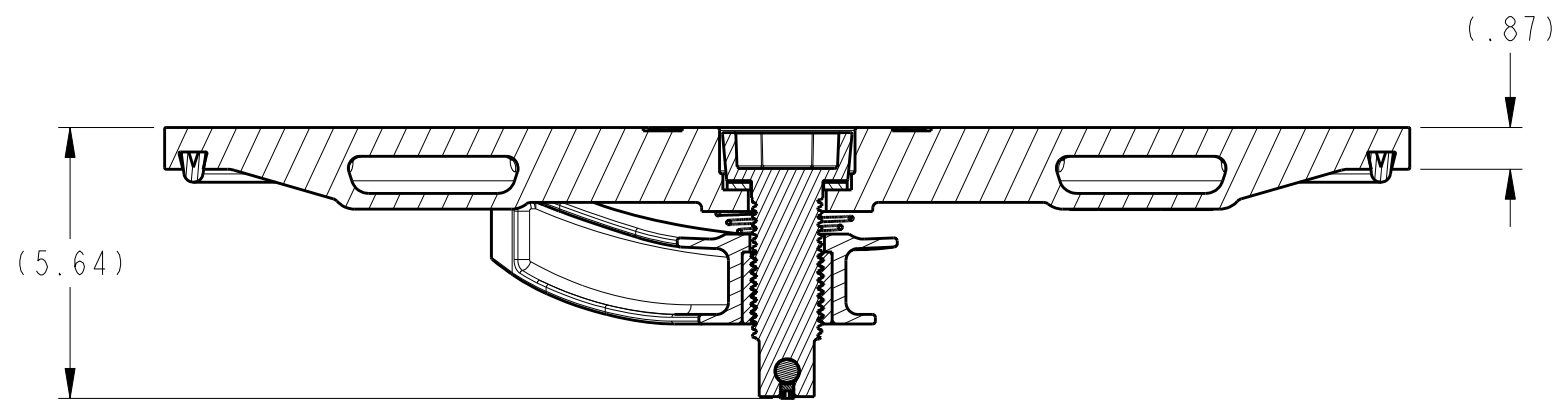


BAIER MARINE Co., Inc. 2920 Airway Ave., Costa Mesa, CA 92626		DWN DT	DWG NO. BFHO15X24S	REV A
SCALE 3:10		SHEET 2 OF 3		

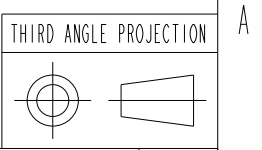
REVISIONS					
REV	ECN	ECR-TN	DESCRIPTION	DATE	APR
A	16-00209	N/A	SEE SHEET 1	08/19/16	RCL



TOP VIEW



SECTION B-B



BAIER MARINE Co., Inc. 2920 Airway Ave., Costa Mesa, CA 92626		DWN DT	DWG NO. BFHO15X24S SCALE 1:4 SHEET	REV A 3 OF 3
--	--	-----------	---------------------------------------	-----------------