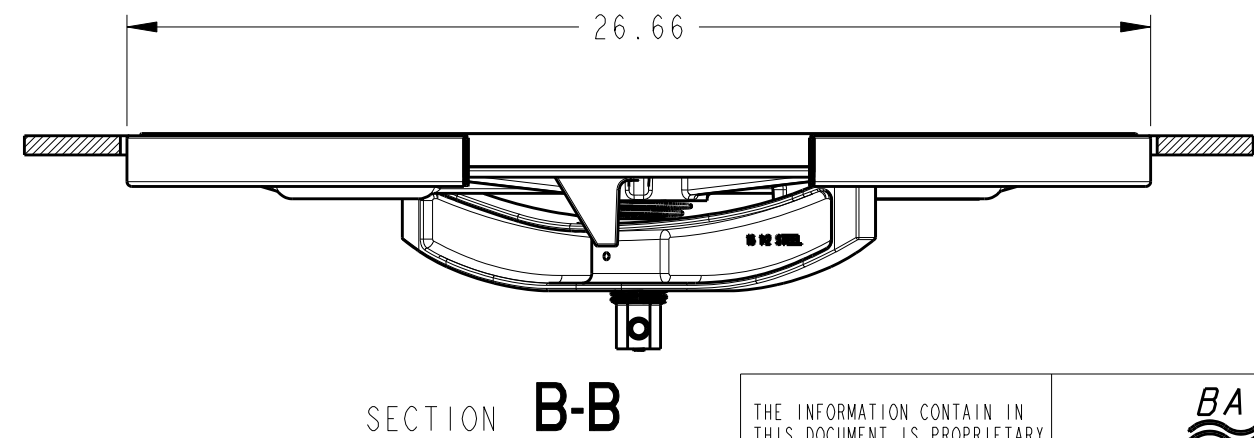
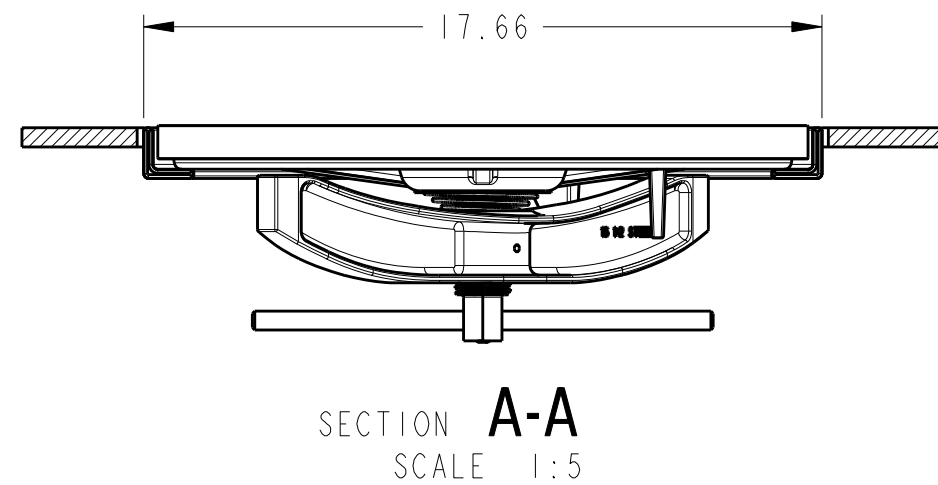
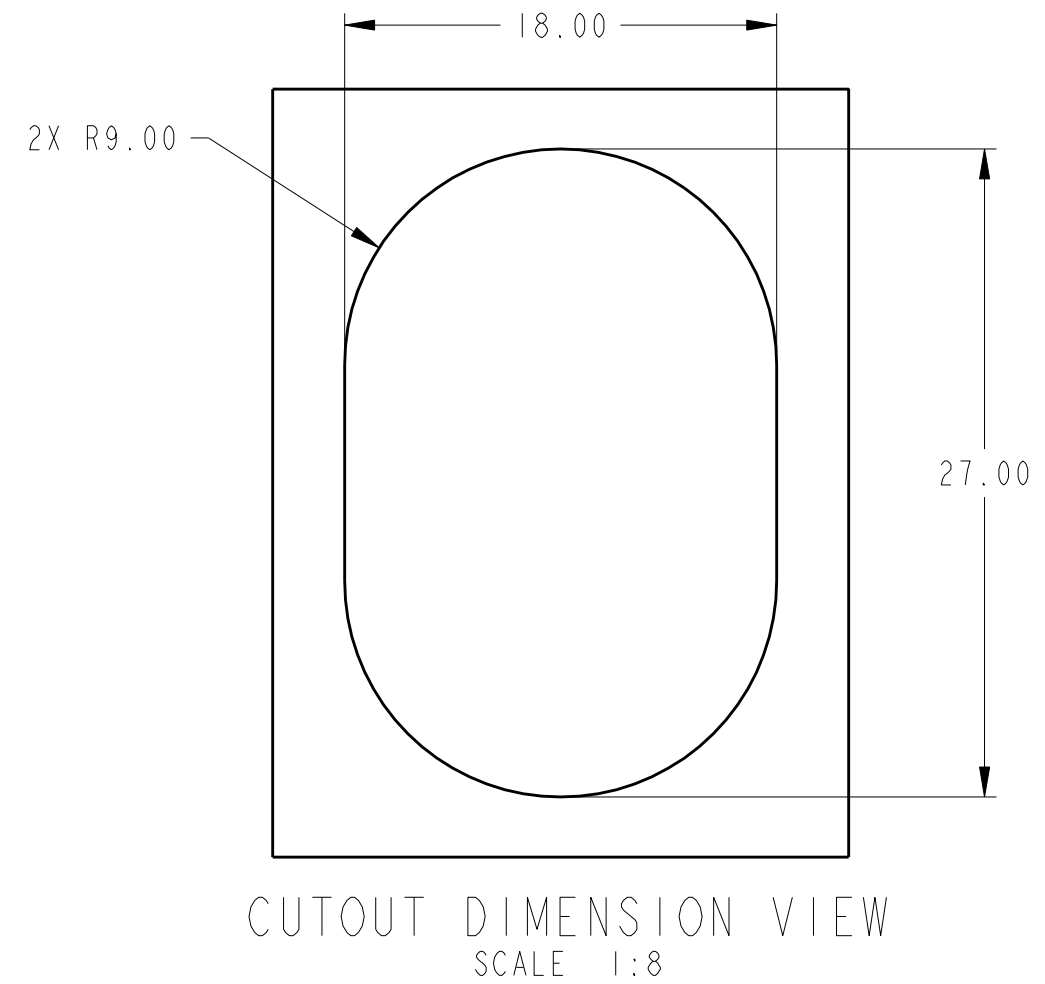
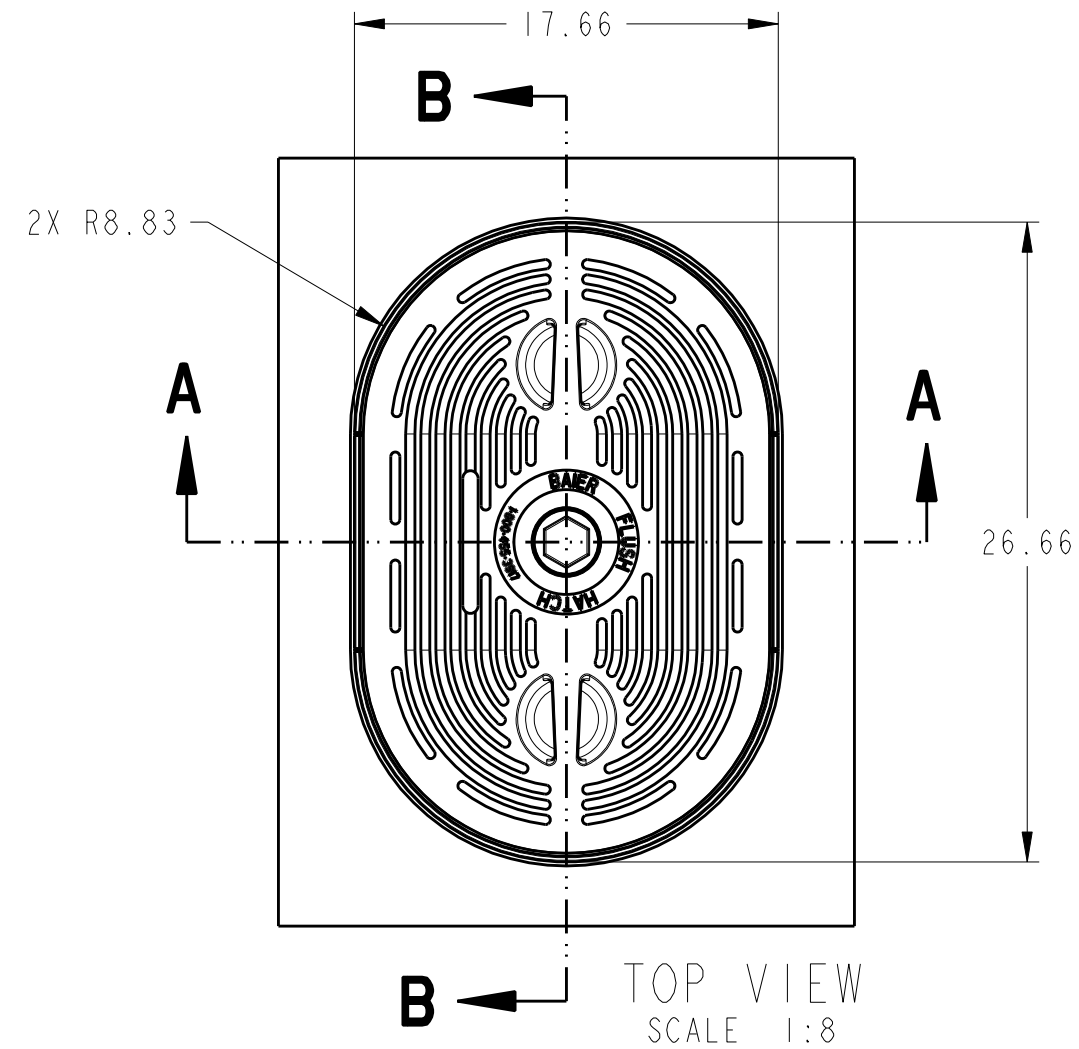


REVISIONS					
REV	ECN	ECR-TN	DESCRIPTION	DATE	APR
A	16-00209	N/A	INITIAL RELEASE	08/19/16	RCL



UMC P/N REF 08861-101E		PRO/E THIRD ANGLE PROJECTION		THE INFORMATION CONTAIN IN THIS DOCUMENT IS PROPRIETARY AND SHALL NOT BE REPRODUCED OR USED FOR ANY PURPOSE WITHOUT THE WRITTEN APPROVAL OF BAIER MARINE CO., INC.			
DWN CK APR		BAE DT		DT 02/15/16		2920 Airway Ave., Costa Mesa, CA 92626 TITLE HATCH ASSY, 15" X 24" ST-SS CENTERBOLT	
SCALE 1:5 AND NOTED		SHEET 1 OF 1		SIZE B DWG NO. BFH015X24S-SS REV A		BAIER	