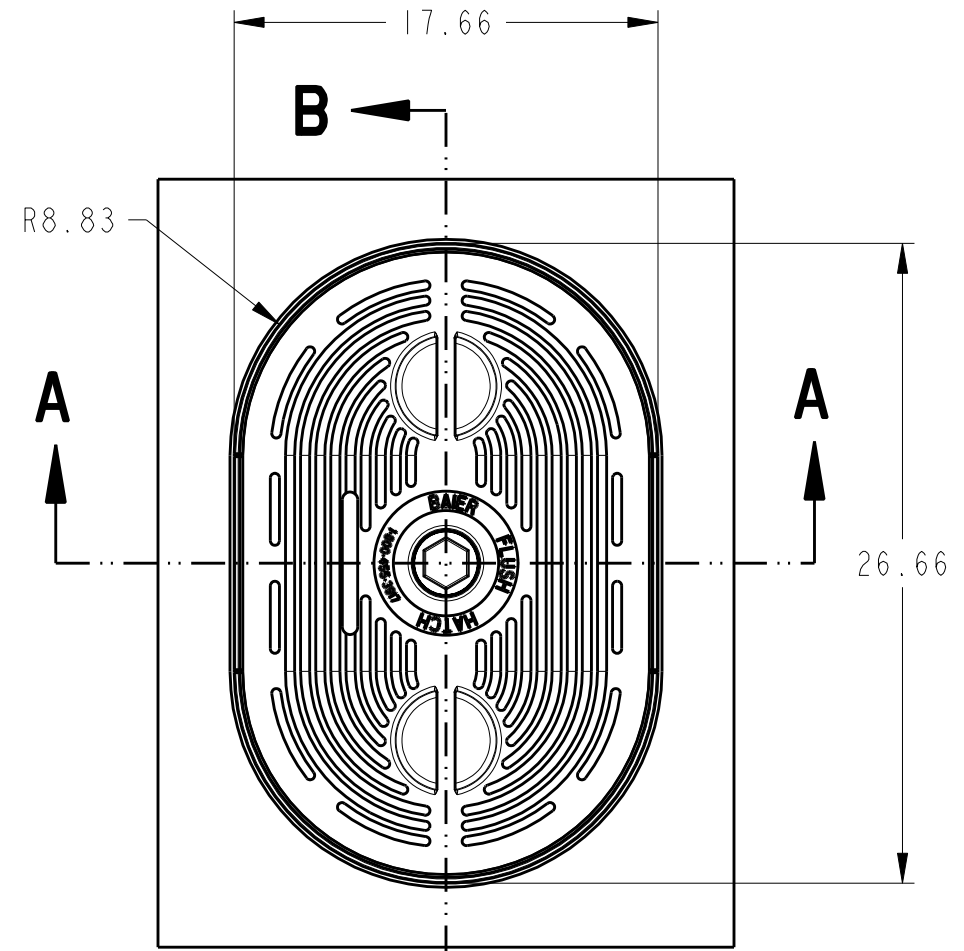
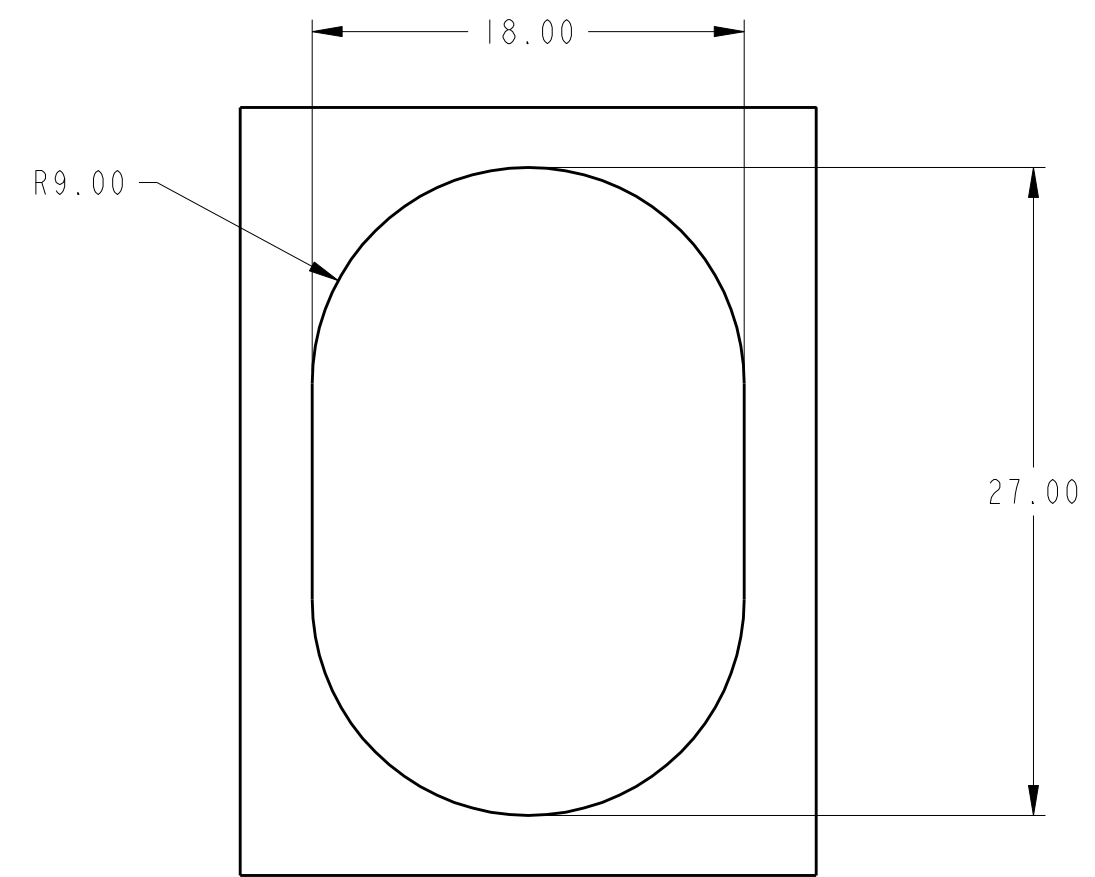


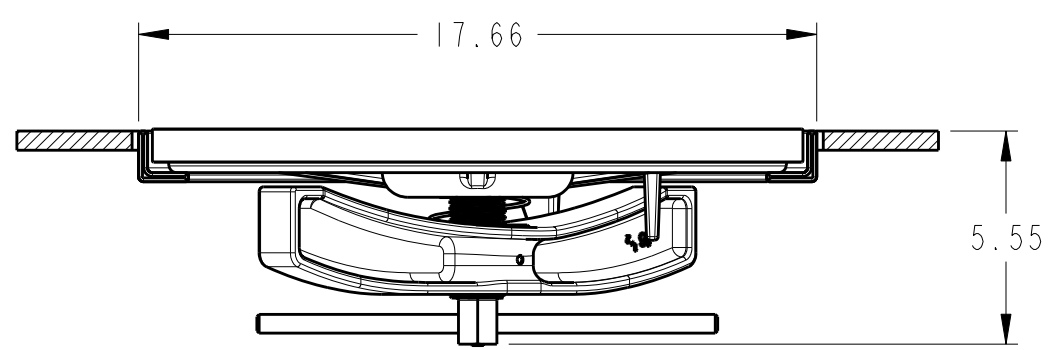
REVISIONS					
REV	ECN	ECR-TN	DESCRIPTION	DATE	APR
A	16-00209	N/A	INITIAL RELEASE	08/19/16	RCL



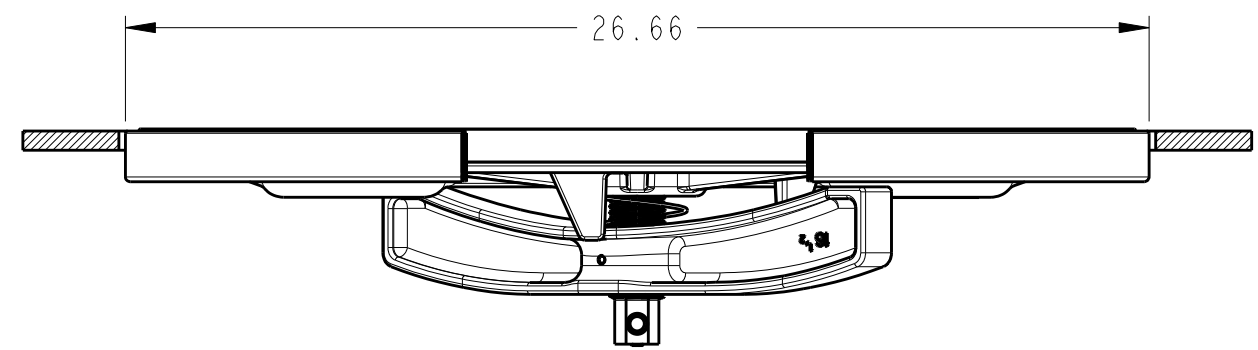
TOP VIEW
SCALE 1:8



CUTOUT DIMENSION VIEW
SCALE 1:8



SECTION A-A
SCALE 1:5



SECTION B-B

UMC P/N REF	08861-101D
PRO/E	THIRD ANGLE PROJECTION
DWN	BAE DT 02/15/16
CK	DT
APR	DT

THE INFORMATION CONTAIN IN THIS DOCUMENT IS PROPRIETARY AND SHALL NOT BE REPRODUCED OR USED FOR ANY PURPOSE WITHOUT THE WRITTEN APPROVAL OF BAIER MARINE CO., INC.

BAIER
2920 Airway Ave., Costa Mesa, CA 92626

TITLE HATCH ASSY, 15" X 24" AL-SS CENTERBOLT

SIZE B DWG NO. BFH015X24A-SS REV A

SCALE 1:5 AND NOTED SHEET 1 OF 1