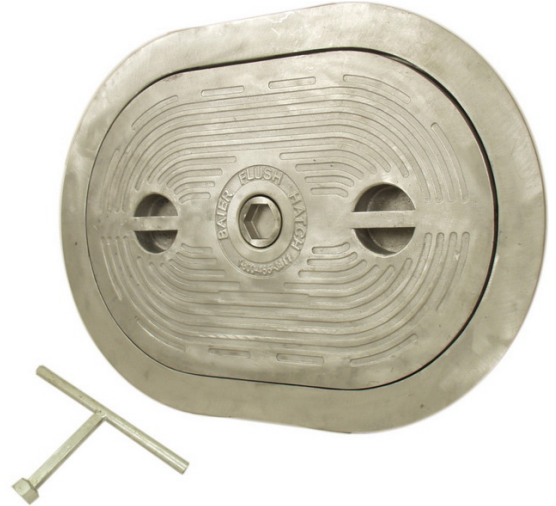


BFHO15X24 - Flush Deck Hatch | Hex Centerbolt | Oval 15" X 24" | Aluminum, Steel

The popular "Classic" Baier Flush Hatch™ is the flush-mounted, quick release, lift-out hatch with grab handles as shown. It has long been standard equipment on fish boats, tugs, barges, workboats, and other marine vessels, as well as many U.S. Navy and U.S. and Canadian Coast Guard vessels.

FEATURES

- Cast Hatch Cover
- Cast 3-Arm Strongback
- Stainless Steel Hex Centerbolt and hardware Neoprene Cover Gasket and Washers (Buna-N optional)
- Cast / fabricated matching Deck Ring
- Every unit shipped with an underside escape turning bar for safety (turning wheel optional)
- Detachable Hex wrench used for quick operation, can be stored separately for security



STRENGTH, SIMPLICITY and SECURITY

The ultimate in strength and simplicity, Baier's original patented strongback system has only two moving parts to secure the hatch cover to the deck. It is superior to other more complicated hatch closure systems in that it is simpler, stronger, more reliably watertight, infinitely adjustable from topside, and more easily serviced (parts are readily available and replaced in the field). Importantly, the recessed hex centerbolt and grab handles offer no snags for nets, lines or hardware.

MATERIALS

The majority of the Classic Model BFH hatch cover product line is available in both cast aluminum and cast steel. Steel Cover assemblies and deck rings are hot dip galvanized for superior corrosion resistance. No other flush hatch is available in cast steel (which is stronger, more durable, and more impact resistant when compared to iron hatches, especially in cold climates). The deck ring is available in galvanized mild steel (for welding into steel decks), or cast aluminum (for welding into aluminum decks or bolting to fiberglass or wood decks). Cast stainless steel hatches and fabricated stainless deck rings are available by special order.

Model Number	Cutout Dimension in. (mm)	Hatch Material	Autocad PDF/DXF
BFHO15X24A/A	18.16" X 27.16"	Aluminium / Aluminium	BFHO15X24A-A DXF (ZIP)
BFHO15X24A/S	17.66" X 26.66"	Aluminium / Steel	BFHO15X24A-S DXF (ZIP)
BFHO15X24A/SS	17.66" X 26.66"	Aluminium / Stainless Steel	BFHO15X24A-S DXF (ZIP)
BFHO15X24S/S	17.66" X 26.66"	Steel / Steel	BFHO15X24A-S DXF (ZIP)
BFHO15X24S/SS	17.66" X 26.66"	Steel / Stainless Steel	BFHO15X24A-S DXF (ZIP)



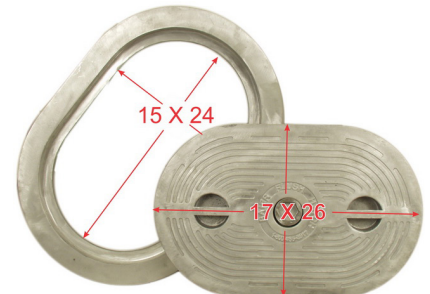
BFHO15X24A/A with Cast Aluminum Deck Ring



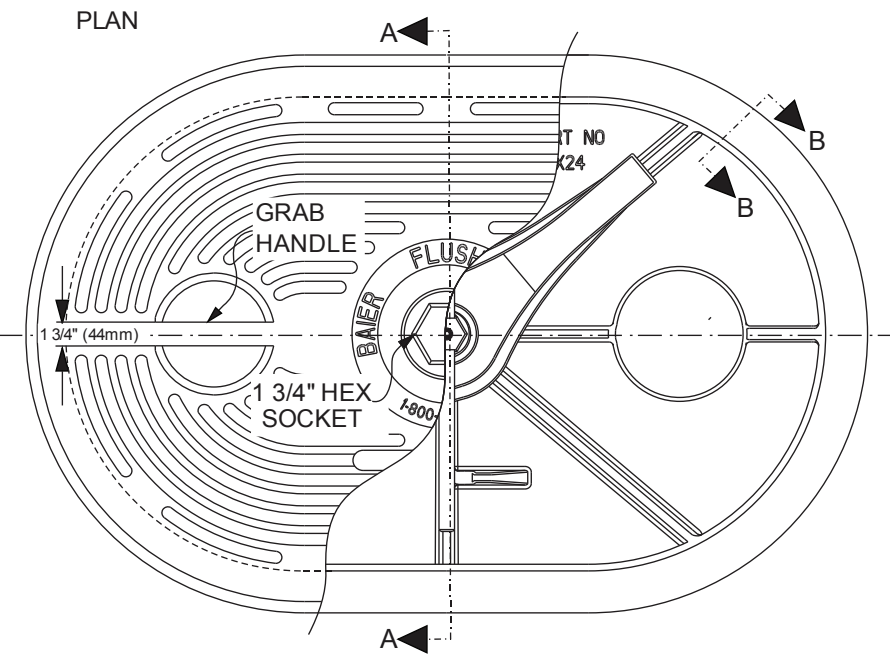
BFHO15X24A/S with Galvanized Steel Deck Ring

When ordering please specify:

Cover Material:
cast aluminum or galvanized steel
Ring Material:
cast aluminum, galvanized steel or stainless steel



Hatch Covers Available Separately

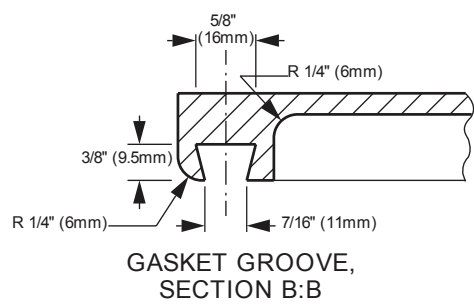
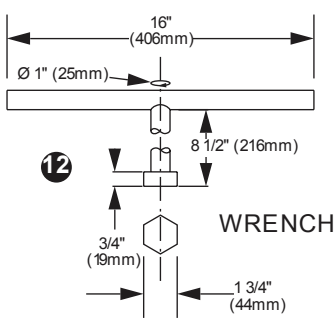
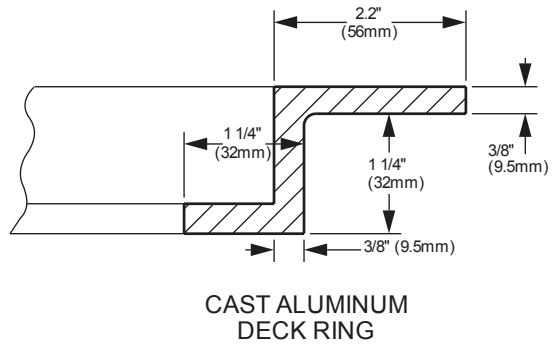
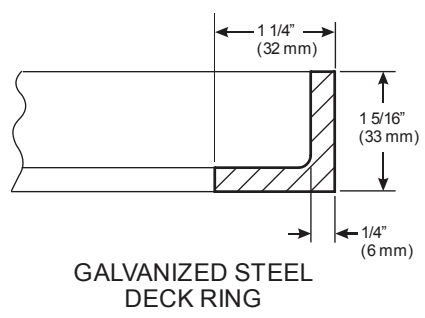
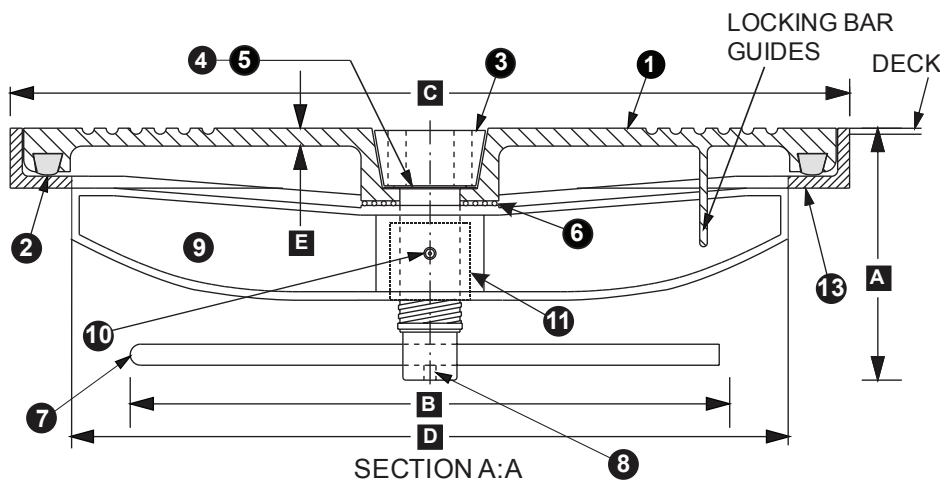


BILL OF MATERIAL: 08862-101

#	DESCRIPTION	MAT	P/N
Cover Kit (parts & kits below AL, ST) BFHO15x24A, S			
1	COVER	AL, ST	08861-103A, B
2	GASKET	NEO	08861-702A
Centerbolt Kit (parts below) UP-CB-HEX-SS-KIT			
3	BOLT (1 1/2" Ø)	SS	08861-204A
4	WASHER	SS	08861-205A
5	WASHER	NEO	08861-701A
6	SPRING	SS	08861-805A
7	ROD (1/2" Ø)	ST	08862-205A
8	ALLEN SET SCREW	SS	06122-801B
Strongback Kit (parts below AL, ST) BSB16-1/2			
9	STRONGBACK	AL, ST	08861-108A, B
10	LUBE ZERK	ZNST	08790-803A
11	THREADED INSERT	BR	08861-209B
12	WRENCH	GALV	UP-WRNCH-HEX-ST
13	DECK RING AL	AL	08861-203A
13	DECK RING ST	ST	08861-207A
13	DECK RING SS	SS	08861-207C
13	DECK RING BLACK	SB	08861-207B

MATERIAL KEY SS - STAINLESS STEEL
 AL - ALUMINUM ZNST - ZINC PLATED ST
 ST - GALV. STEEL BR - BRONZE
 SB - BLACK STEEL NEO - NEOPRENE

NOTE: BUTT WELD ON STEEL AND ALUMINUM DECKS.
 BOLT DOWN ON WOOD AND FIBERGLASS DECKS
 (FLANGES SUPPLIED BLIND - SHIPYARD TO DRILL TO SUIT)



HATCH WEIGHTS LBS. (KGMS)	
Model Number	BFHO15x24
Material	AL ST
Cover	27 (12.3) 77 (35)
Deck Ring	12 (5.4) 10 (4.5)

IMPORTANT: WHEN ORDERING,
 PLEASE SPECIFY OUTSIDE
 DIAMETER (C) OR CLEAR
 OPENING (D). UNITS ARE
 IDENTIFIED BY CLEAR OPENING.

Model Number	DIMENSIONS INCHES (mm)					
	A	B	C(L)	C(W)	D(L)	D(W)
BFHO15X24	5 1/2 (140)	12 1/2 (318)	26 5/8 (676)	17 5/8 (447)	24 (610)	15 (381)



BAIER FLUSH HATCH
 LIFT-OUT PLAIN DOGGED TYPE
 WITH GRAB HANDLES
 TYPE "C" POSITIVE LOCKING
MODEL: BFHO15X24

DWG. NO. 541