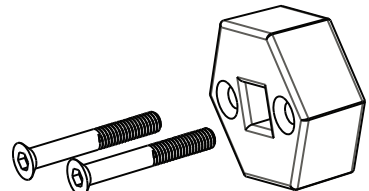
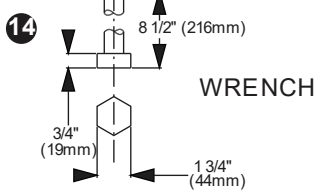
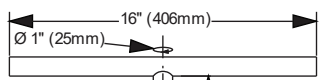
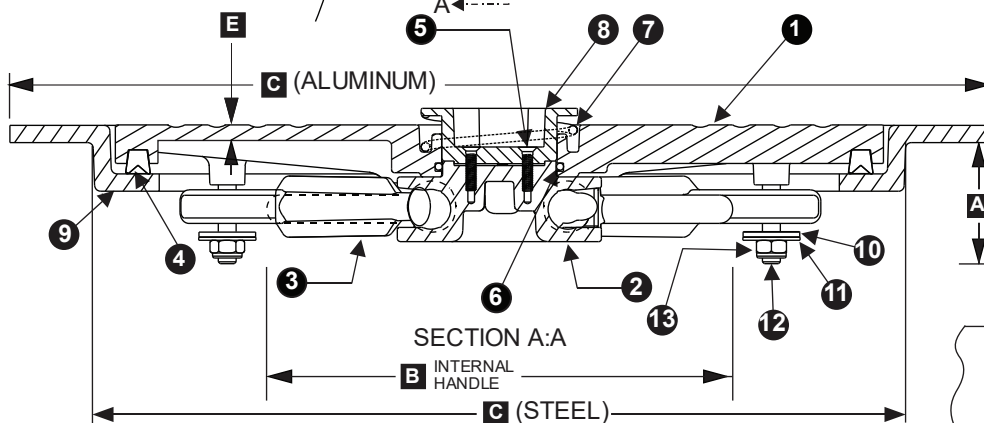
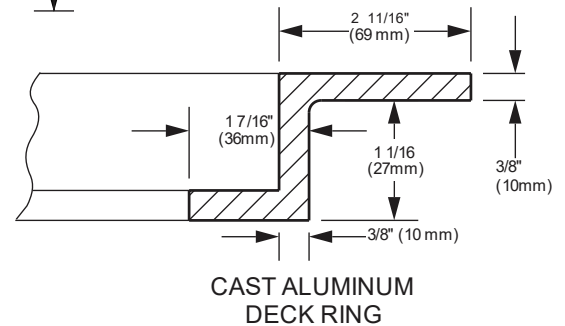
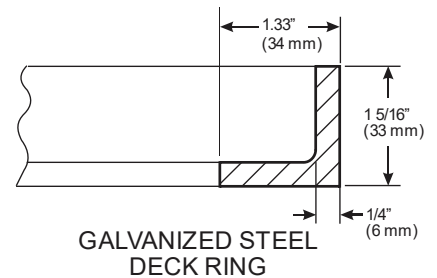
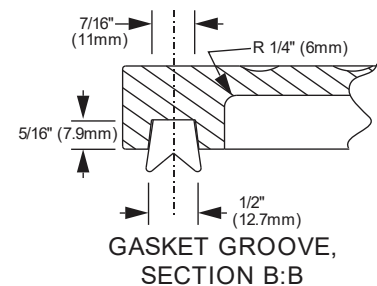


**BILL OF MATERIAL: 08864-171**

#	DESCRIPTION	MAT	P/N
1	COVER	AL	08864-271A
2	DOG HUB ASSY	AL	08864-103A
3	(4) DOG ARM	AL	08864-242A
4	GASKET	NEO	08864-704A
5	(4) SCREW M6 X 25mm	SS	08864-812A
6	O-RING	NEO	08864-710A
7	SPRING	SS	08864-817A
8	HEX CAP	SS	08864-246A
9	DECK RING AL	AL	08861-243A
9	DECK RING ST	ST	08861-247A
10	(4) WASHER	UP	08864-803A
11	(4) WASHER	SS	08864-805A
12	(4) THREADED POST	SS	08864-802A
13	(4) NYLOCK NUT M10	SS	08864-807A
14	WRENCH	ST	08861-401A

**MATERIAL KEY**

AL - ALUMINUM
ST - GALV. STEEL
SS - STAINLESS STEEL
UP - UHMW POLY
NEO - NEOPRENE



**1/2" SOCKET DRIVE ADAPTER INCLUDED**

PROVIDES ALTERNATIVE USE OF 1/2" DRIVE RATCHET. INSERT CAN BE INSTALLED IN HATCH OR USED AS AN ADAPTER. SCREWS PROVIDED IF ADAPTER IS INSTALLED

IMPORTANT: WHEN ORDERING, PLEASE SPECIFY OUTSIDE DIAMETER (C) OR CLEAR OPENING (D). UNITS ARE IDENTIFIED BY CLEAR OPENING.

HATCH WEIGHTS LBS. (KGS)	
Model Number	BFHLP24X24
Material	AL ST
Cover	50 (22.7) N/A
Deck Ring	12 (5.4) 15 (6.8)

Model Number	DIMENSIONS INCHES (mm)					
	A	B	C (AL)	C (ST)	D	E
BFHLP24X24	2 11/16 (68)	13 (330)	30 7/16 x 30 7/16 (777 x 777)	26 5/8 x 26 5/8 (676 x 676)	24 x 24 (610 x 610)	5/16 (8)

**BAIER** Marine Company, Inc.  
 1-800-455-3917  
 206-632-2441 (FAX)  
 sales@baiermarine.com

**BAIER FLUSH HATCH**  
 LOW PROFILE  
 MULTI-DOGGED  
 TYPE "D" QUICK ACTING  
 POSITIVE LOCK  
**MODEL BFHLP24X24**

DWG. 08864-171