

8

7

6

5

4

3

2

1

D

D

C

C

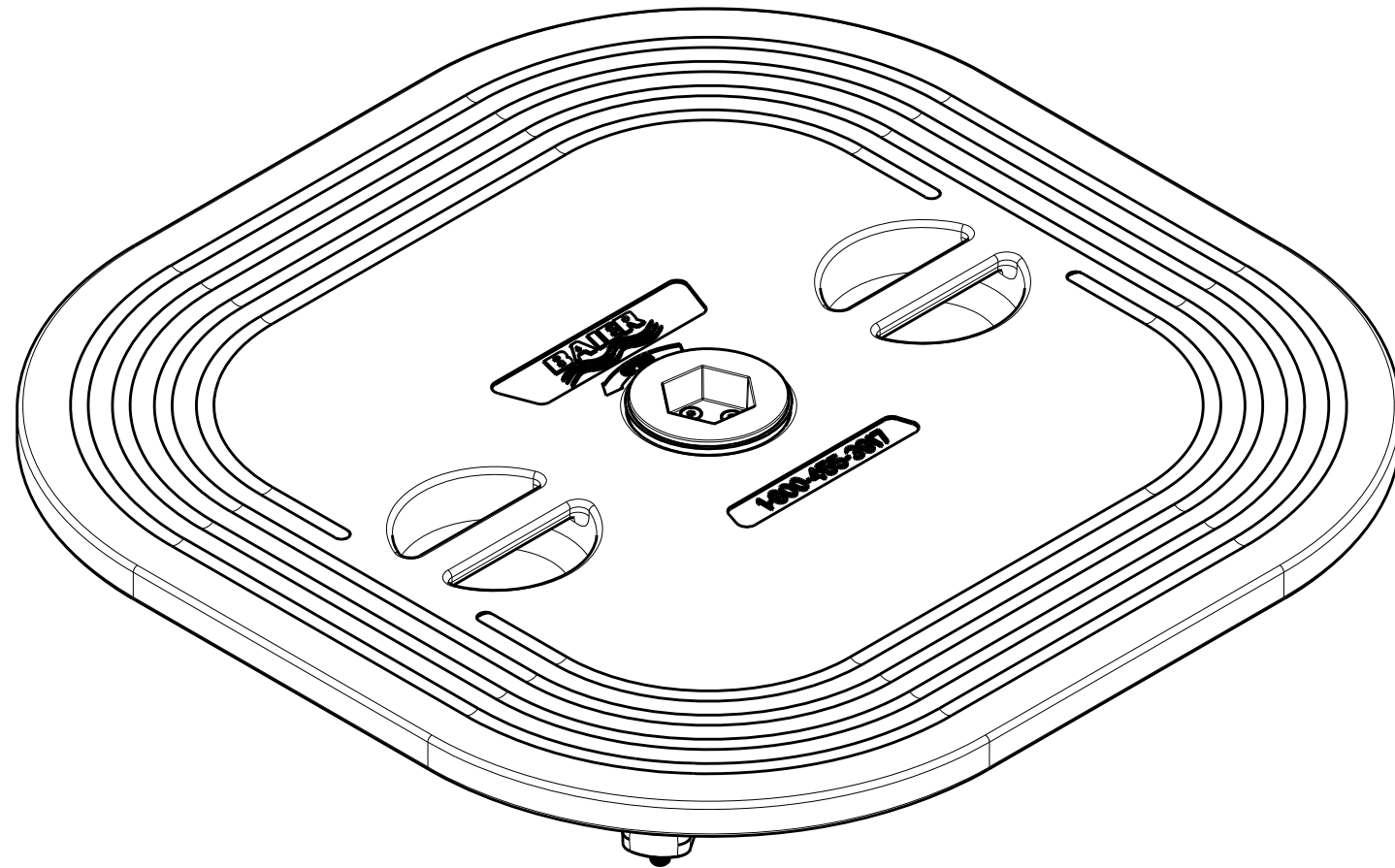
B

B

A

A

REVISIONS					
REV	ECN	ECR-TN	DESCRIPTION	DATE	APR
A	16-00209	N/A	INITIAL RELEASE	08/19/16	RCL



ISOMETRIC VIEW

1	WAVE SPRING, LP-QA HATCH	08864-818A	11
4	SCREW, FT HD M6 X 1 X 25mm LG S.S.	08864-812A	10
4	NUT, NYLOCK M10 X 1.5 S.S.	08864-807A	9
4	WASHER, .43 ID X 1.25 OD S.S.	08864-805A	8
4	WASHER, BUSHING	08864-803A	7
4	STUD, M10 X 1.5P X 2.75LG S.S.	08864-802A	6
1	GASKET, LP-QA TAPERED SEAL	08864-711A	5
1	HEX DRIVE SOCKET	08864-246A	4
4	DOG, LOCKING 24 SQ	08864-242A	3
1	COVER-GASKET 24X24 LP-QA ASSY	08864-173A	2
1	LP DOG HUB ASSY	08864-103A	1
QTY	DESCRIPTION	PART NO	ITEM

PRO/E		THIRD ANGLE PROJECTION		THE INFORMATION CONTAIN IN THIS DOCUMENT IS PROPRIETARY AND SHALL NOT BE REPRODUCED OR USED FOR ANY PURPOSE WITHOUT THE WRITTEN APPROVAL OF BAIER MARINE CO., INC.		 2920 Airway Ave., Costa Mesa, CA 92626	
		DWN	BAE	DT	01/06/16	SIZE	B
UMC P/N REF		CK		DT		DWG NO.	BFHLP24X24A
08864-172A		APR		DT		SCALE	1:4 AND NOTED
						TITLE	COVER ASSY, 24X24 LP-QA, ALUM
						REV	A
						SHEET	1 OF 3

8

7

6

5

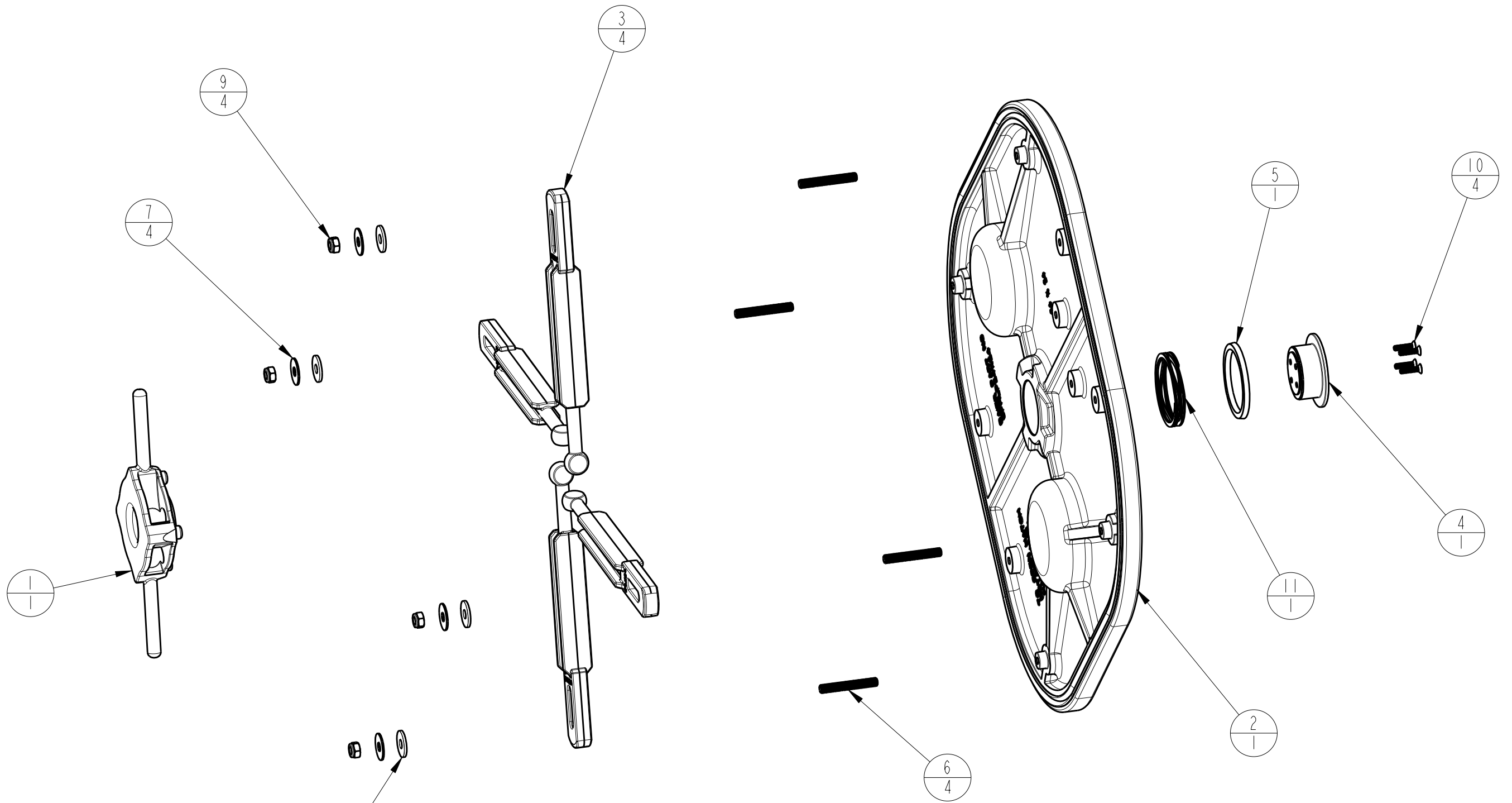
4

3

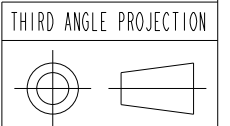
2

1

REVISIONS					
REV	ECN	ECR-TN	DESCRIPTION	DATE	APR
A	16-00209	N/A	SEE SHEET 1	08/19/16	RCL

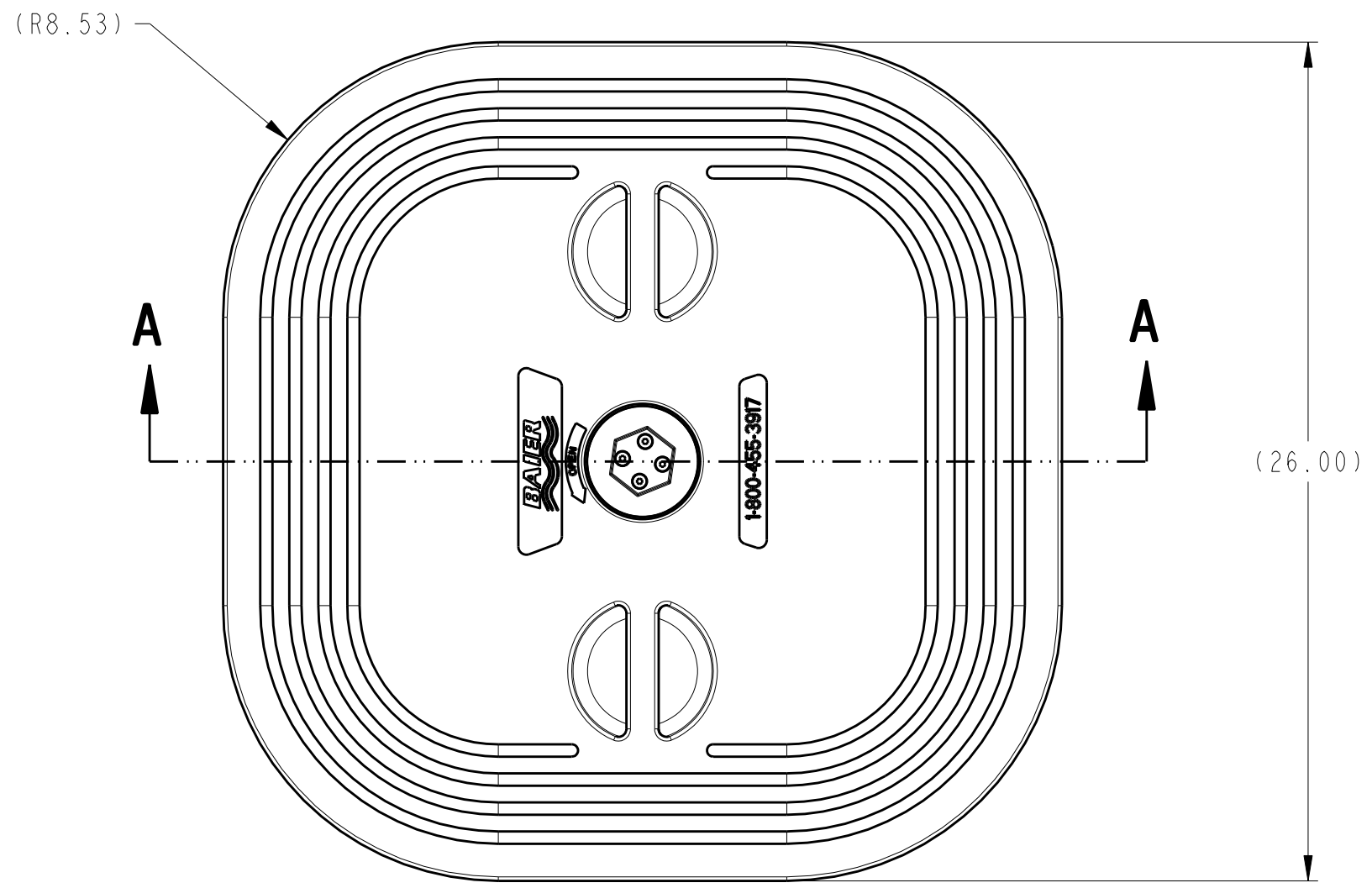


EXPLODED VIEW

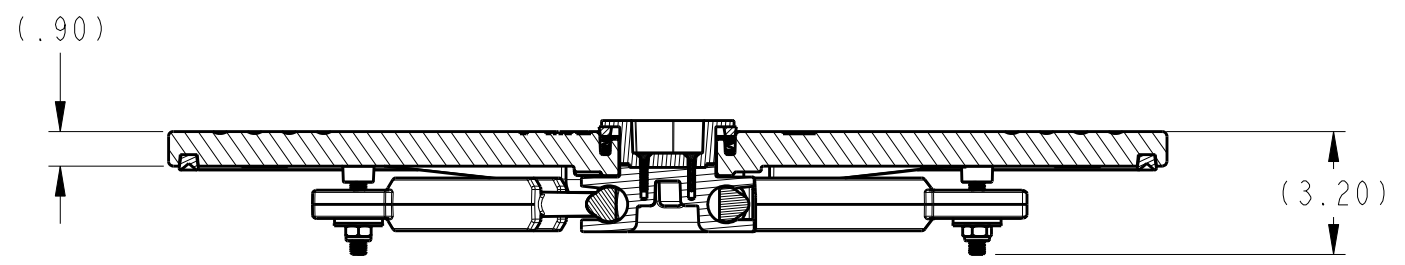


BAIER MARINE Co., Inc. 2920 Airway Ave., Costa Mesa, CA 92626		DWN DT	DWG NO. SCALE	BFHLP24X24A 1:5 SHEET	REV 2 OF 3	A
--	--	-----------	------------------	--------------------------	---------------	---

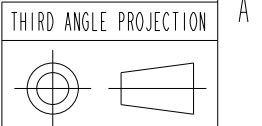
REVISIONS					
REV	ECN	ECR-TN	DESCRIPTION	DATE	APR
A	16-00209	N/A	SEE SHEET 1	08/19/16	RCL



TOP VIEW



SECTION A-A



BAIER MARINE Co., Inc. 2920 Airway Ave., Costa Mesa, CA 92626		DWN DT	DWG NO. BFHLP24X24A SCALE 1:5 SHEET	REV A 3 OF 3
--	--	-----------	--	-----------------