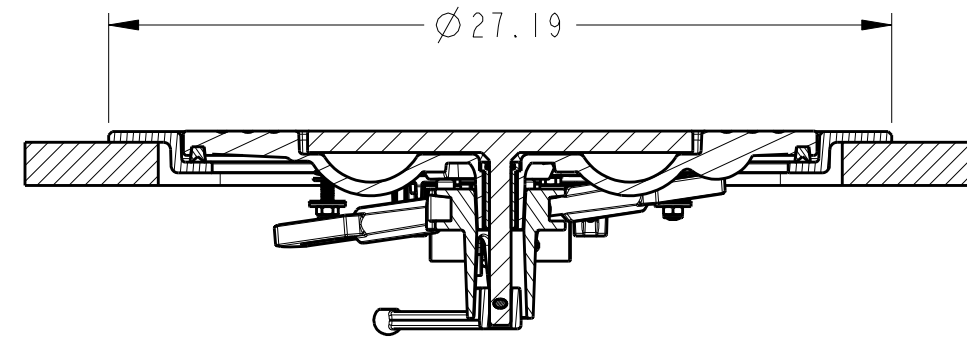
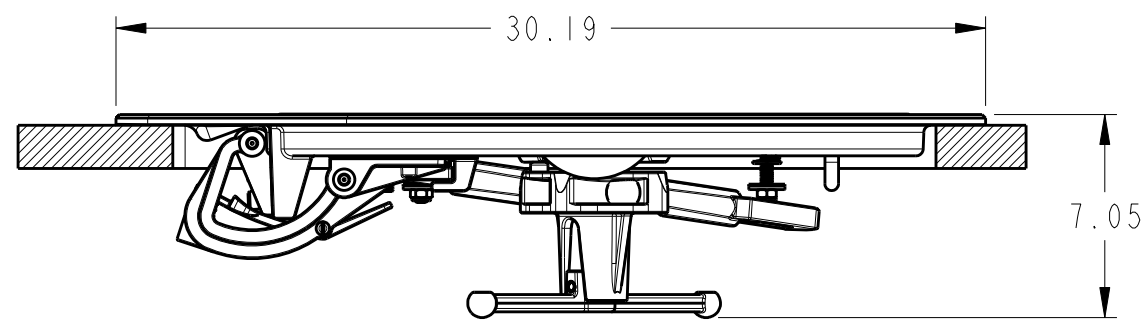
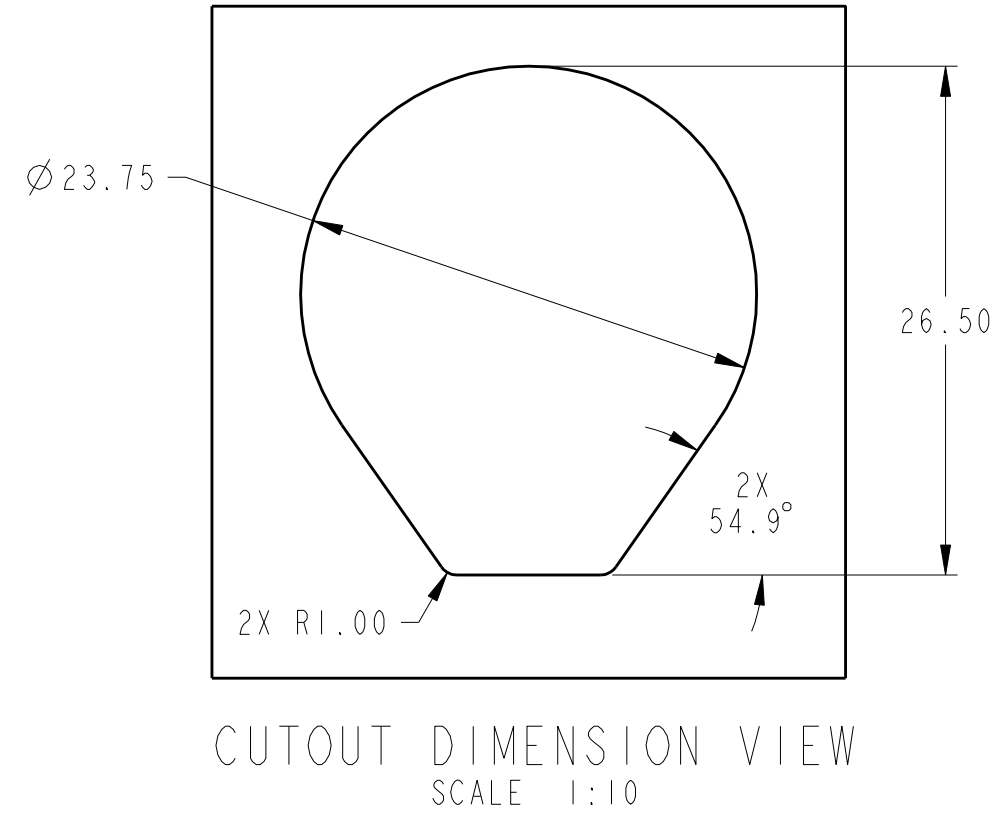
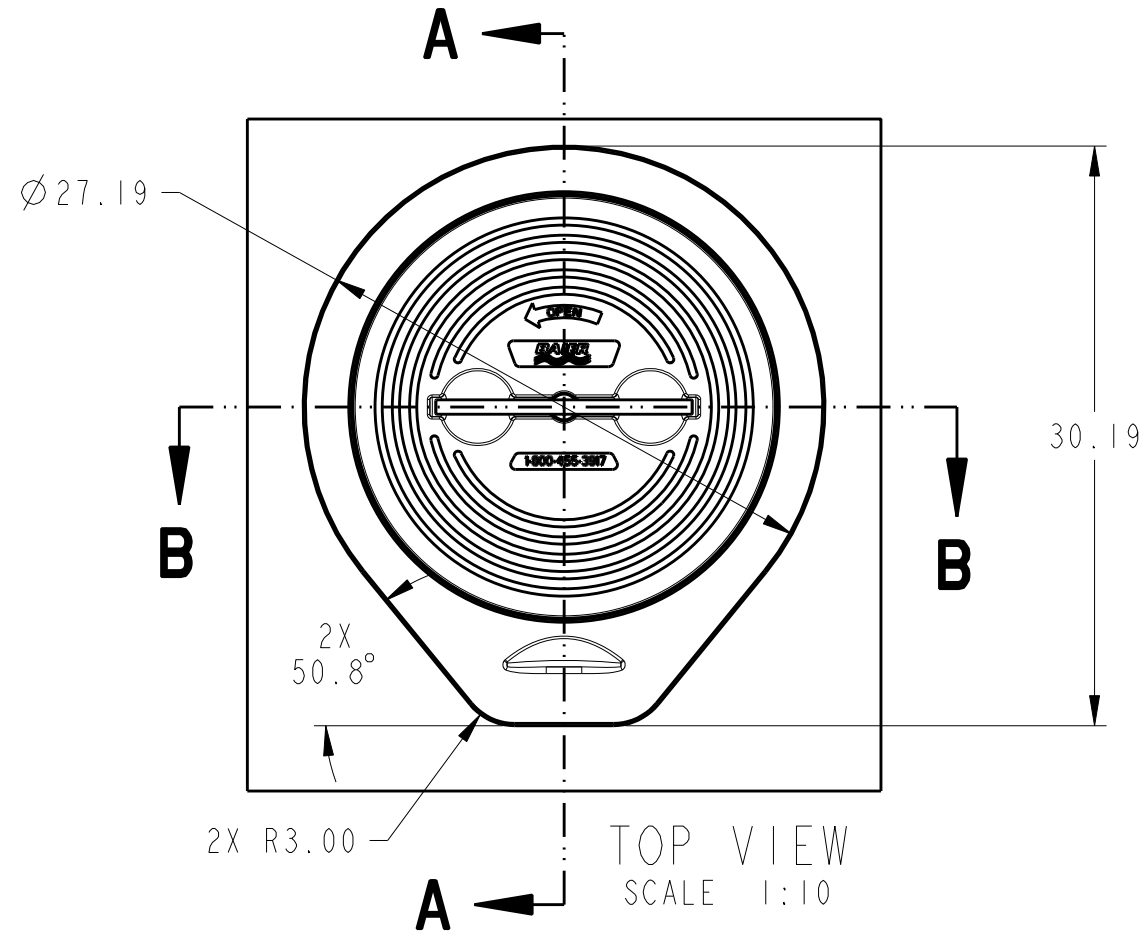


REVISIONS					
REV	ECN	ECR-TN	DESCRIPTION	DATE	APR
A	16-00209	N/A	INITIAL RELEASE	08/19/16	RCL



PRO/E THIRD ANGLE PROJECTION		THE INFORMATION CONTAIN IN THIS DOCUMENT IS PROPRIETARY AND SHALL NOT BE REPRODUCED OR USED FOR ANY PURPOSE WITHOUT THE WRITTEN APPROVAL OF BAIER MARINE CO., INC.			
UMC P/N REF 08863-104A		DWN BAE DT 08/31/15 CK DT APR DT		2920 Airway Ave., Costa Mesa, CA 92626 TITLE HATCH ASSY, 20" QA-AL-HINGED	
		SIZE B DWG NO. BFHHQTH20A-A SCALE 7:40 AND NOTED		REV A SHEET 1 OF 1	