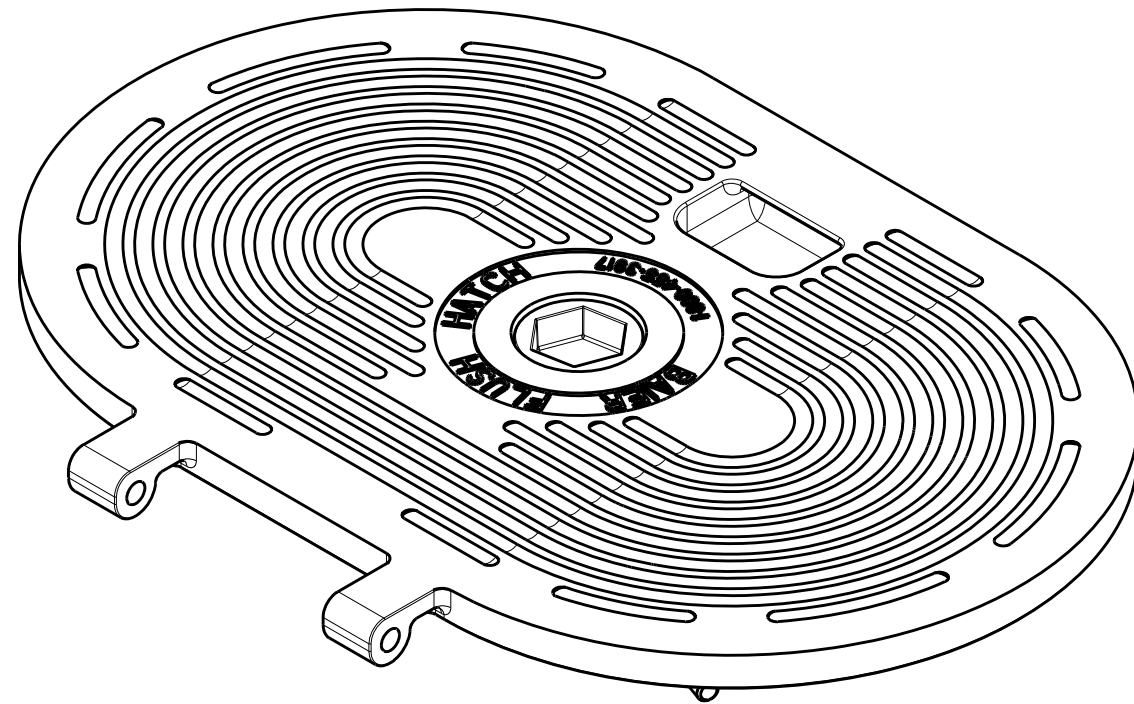


REVISIONS					
REV	ECN	ECR-TN	DESCRIPTION	DATE	APR
A	16-00209	N/A	INITIAL RELEASE	08/19/16	RCL

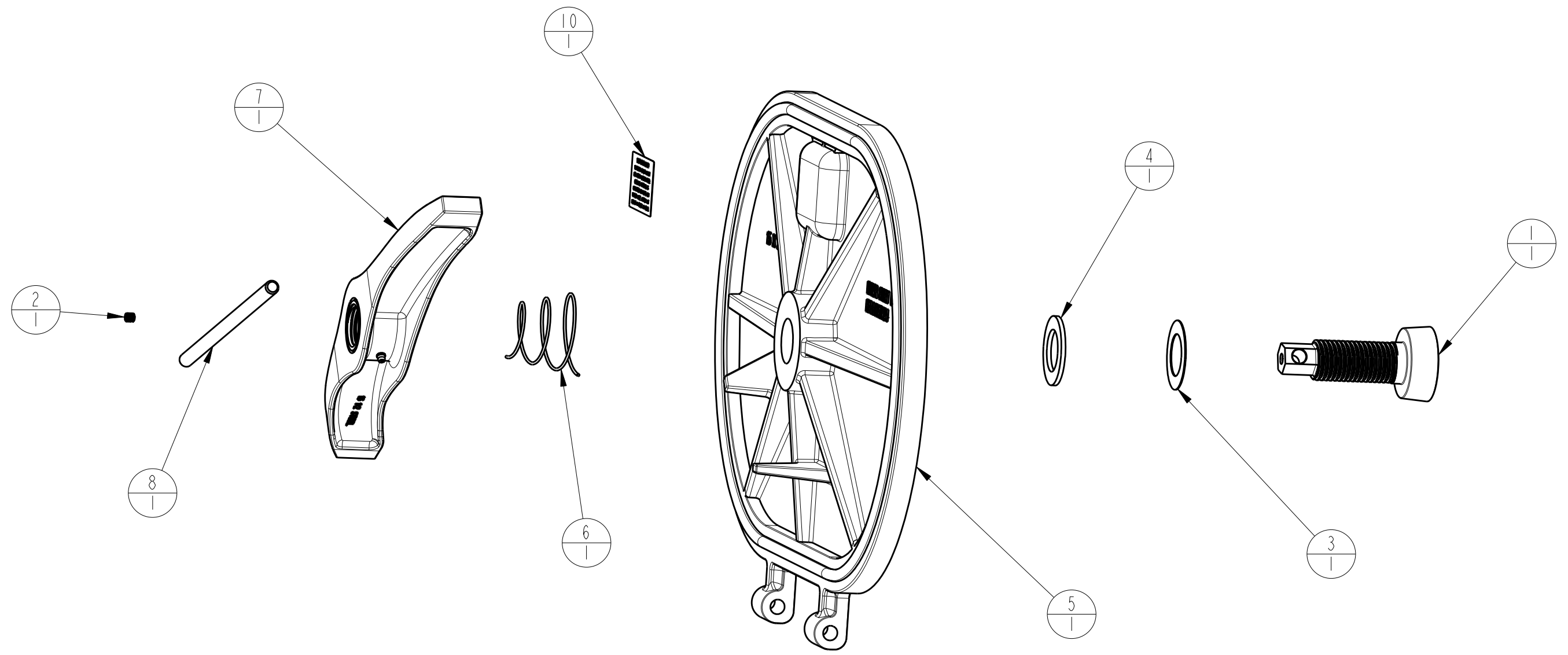


ISOMETRIC VIEW

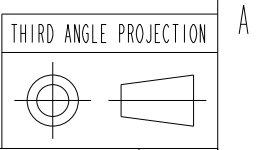
QTY	DESCRIPTION	PART NO	ITEM
1	DECAL, HATCH LUB	08861-710A	10
1	ROD, .50" DIA X 12" LG	08861-205A	8
1	STRONGBACK ASY16.5"HEX BRONZE	08861-108B	7
1	SPRING	08861-805A	6
1	COVER KIT, GASKET, GH, HINGE STL #543-1, 15" X 24"	08861-163B	5
1	GASKET, 1.50" ID	08861-701A	4
1	WASHER, FLAT 1.50" ID SS	08861-206A	3
1	SCREW, SET 5/16-18 X 5/16 SS	06122-801B	2
1	BOLT, CENTER THREADED	08861-204A	1

UMC P/N REF 08861-162B		PRO/E THIRD ANGLE PROJECTION		THE INFORMATION CONTAIN IN THIS DOCUMENT IS PROPRIETARY AND SHALL NOT BE REPRODUCED OR USED FOR ANY PURPOSE WITHOUT THE WRITTEN APPROVAL OF BAIER MARINE CO., INC.		2920 Airway Ave., Costa Mesa, CA 92626	
DWN CK APR		BAE DT DT		01/11/16		TITLE COVER ASSY, GH-HINGE, STL #543-1, 15" x 24"	
SIZE B		DWG NO. BFHHO15X24S		REV A		SCALE 1:4 AND NOTED SHEET 1 OF 3	

REVISIONS				DATE	APR
REV	ECN	ECR-TN	DESCRIPTION		
A	16-00209	N/A	SEE SHEET 1	08/19/16	RCL



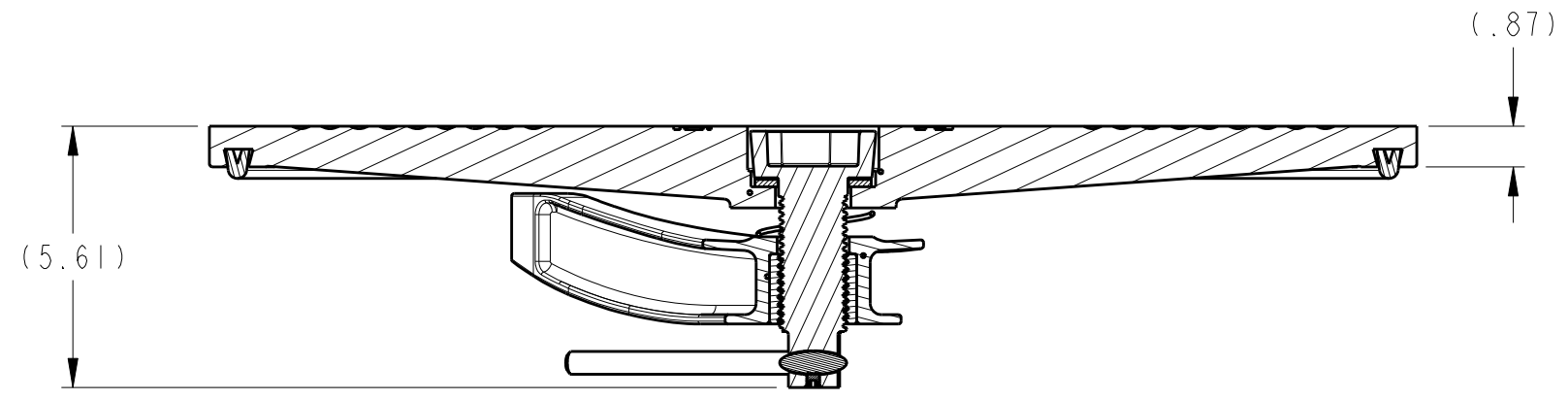
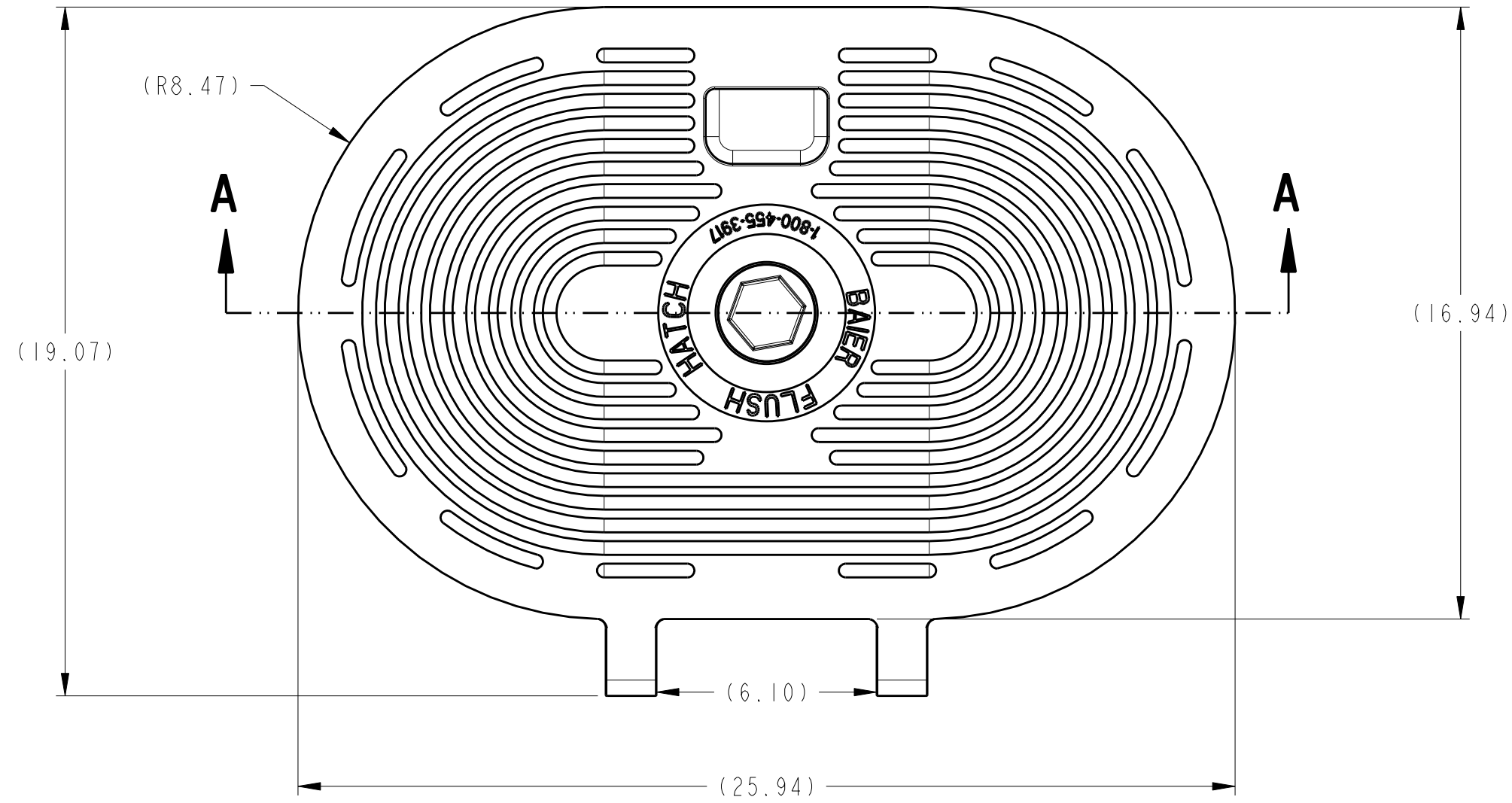
EXPLODED VIEW



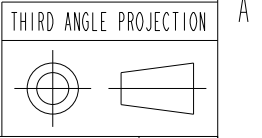
BAIER MARINE Co., Inc. 2920 Airway Ave., Costa Mesa, CA 92626		DWN DT	DWG NO. SCALE	BFHHO15X24S 1:4 SHEET	REV 2 OF 3	A
--	--	-----------	------------------	--------------------------	---------------	---

REVISIONS					
REV	ECN	ECR-TN	DESCRIPTION	DATE	APR
A	16-00209	N/A	SEE SHEET 1	08/19/16	RCL

TOP VIEW



SECTION A-A



BAIER MARINE Co., Inc. 2920 Airway Ave., Costa Mesa, CA 92626		DWN DT	DWG NO. SCALE	BFHHO15X24S 1:4 SHEET	REV 3 OF 3	A
--	--	-----------	------------------	--------------------------	---------------	---