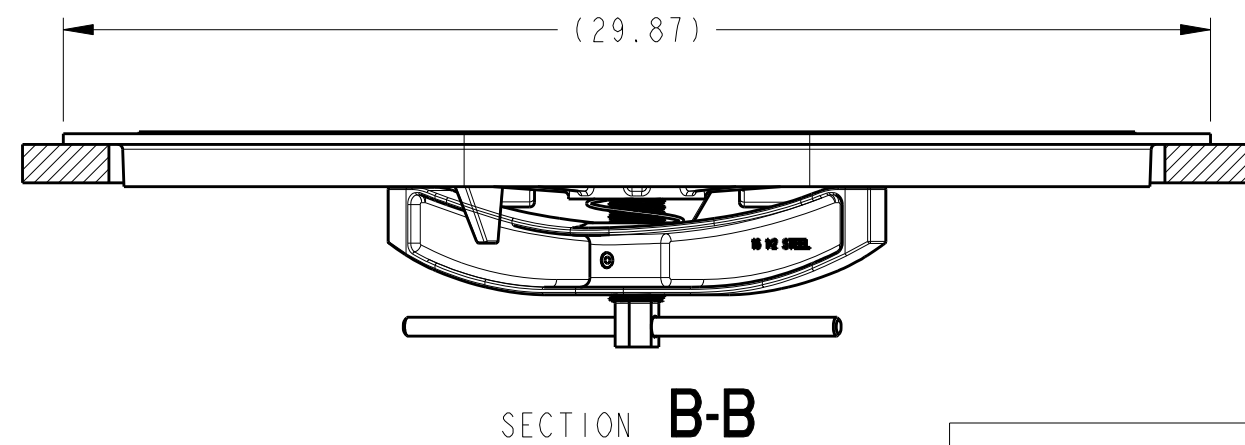
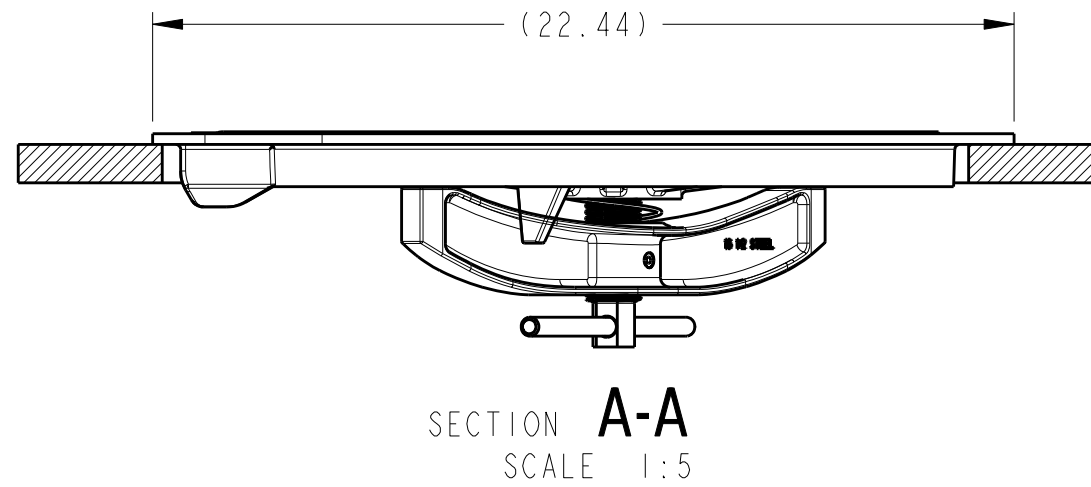
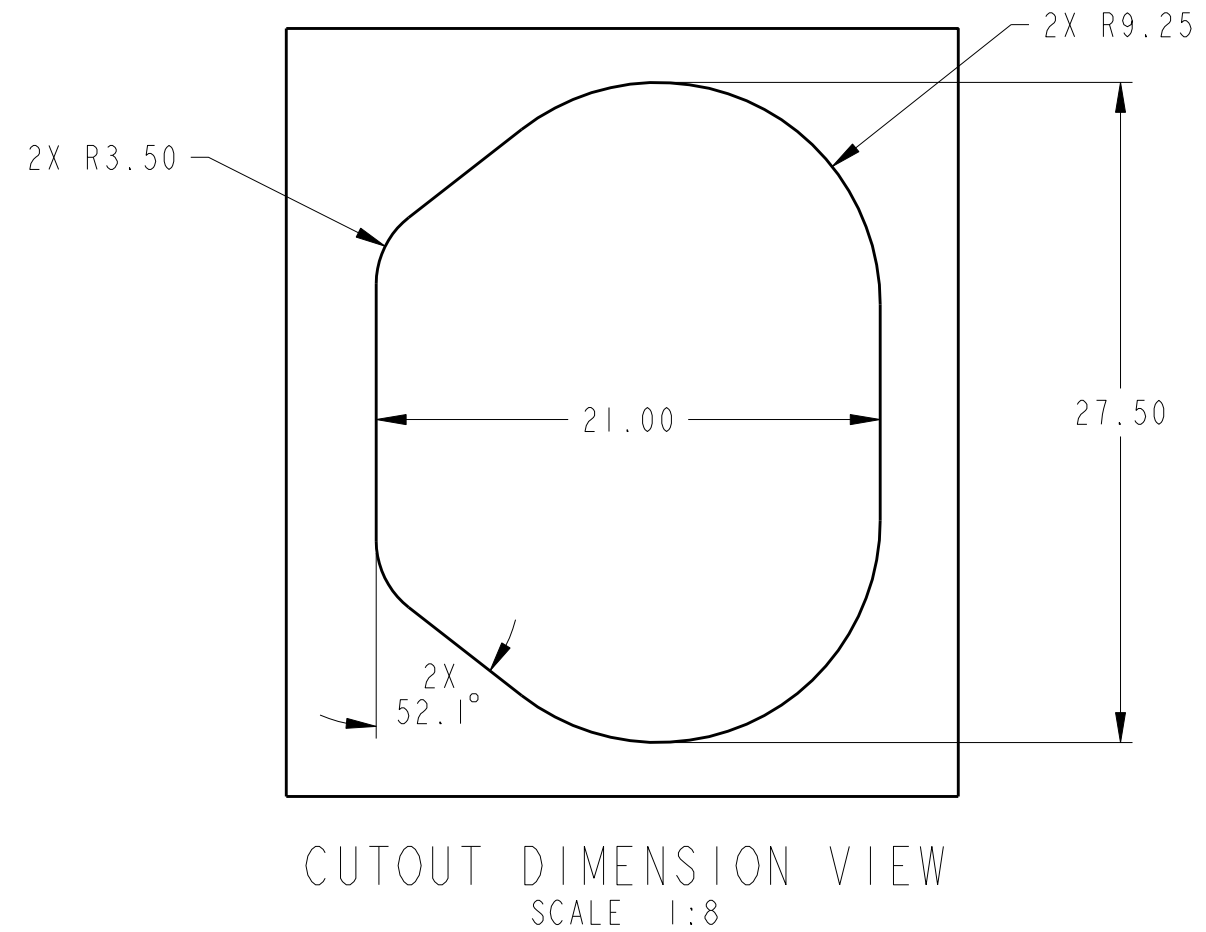
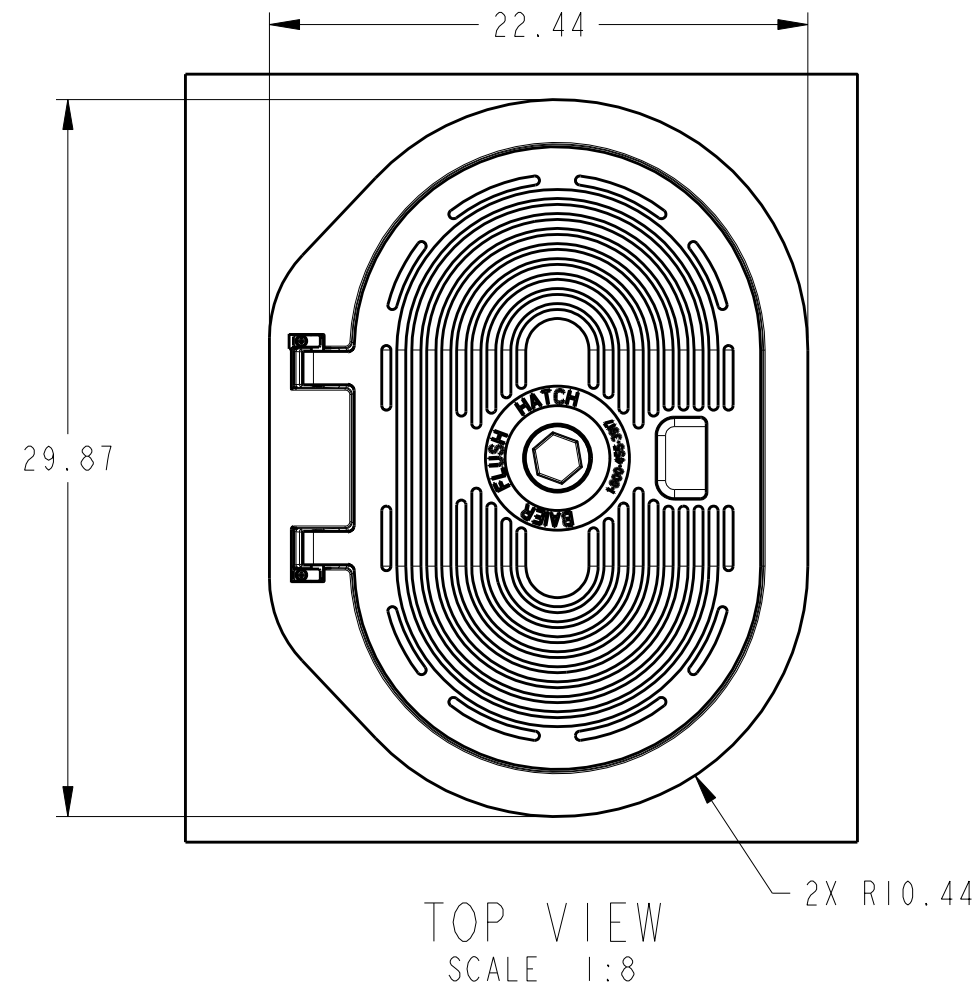
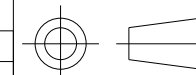


REVISIONS					
REV	ECN	ECR-TN	DESCRIPTION	DATE	APR
A	16-00209	N/A	INITIAL RELEASE	08/19/16	RCL



PRO/E  
THIRD ANGLE PROJECTION

UMC P/N REF  
08861-161C



THE INFORMATION CONTAIN IN THIS DOCUMENT IS PROPRIETARY AND SHALL NOT BE REPRODUCED OR USED FOR ANY PURPOSE WITHOUT THE WRITTEN APPROVAL OF BAIER MARINE CO., INC.

DWN	BAE	DT	01/11/16
CK		DT	
APR		DT	

**BAIER**  
2920 Airway Ave., Costa Mesa, CA 92626

TITLE 15 X 24 HINGED STEEL HATCH ASSY

DWG NO. BFHH015X24S-S REV A

SCALE 1:4 AND NOTED SHEET 1 OF 1