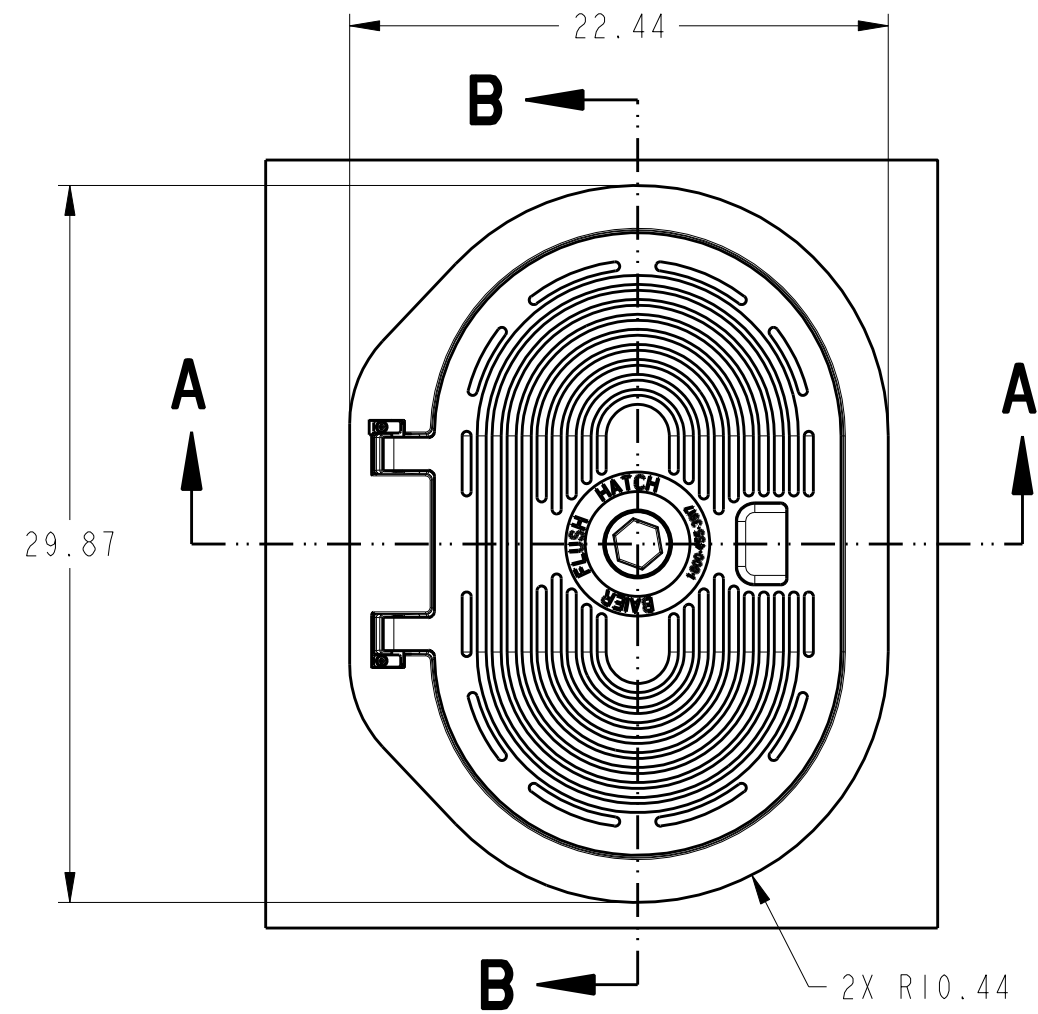
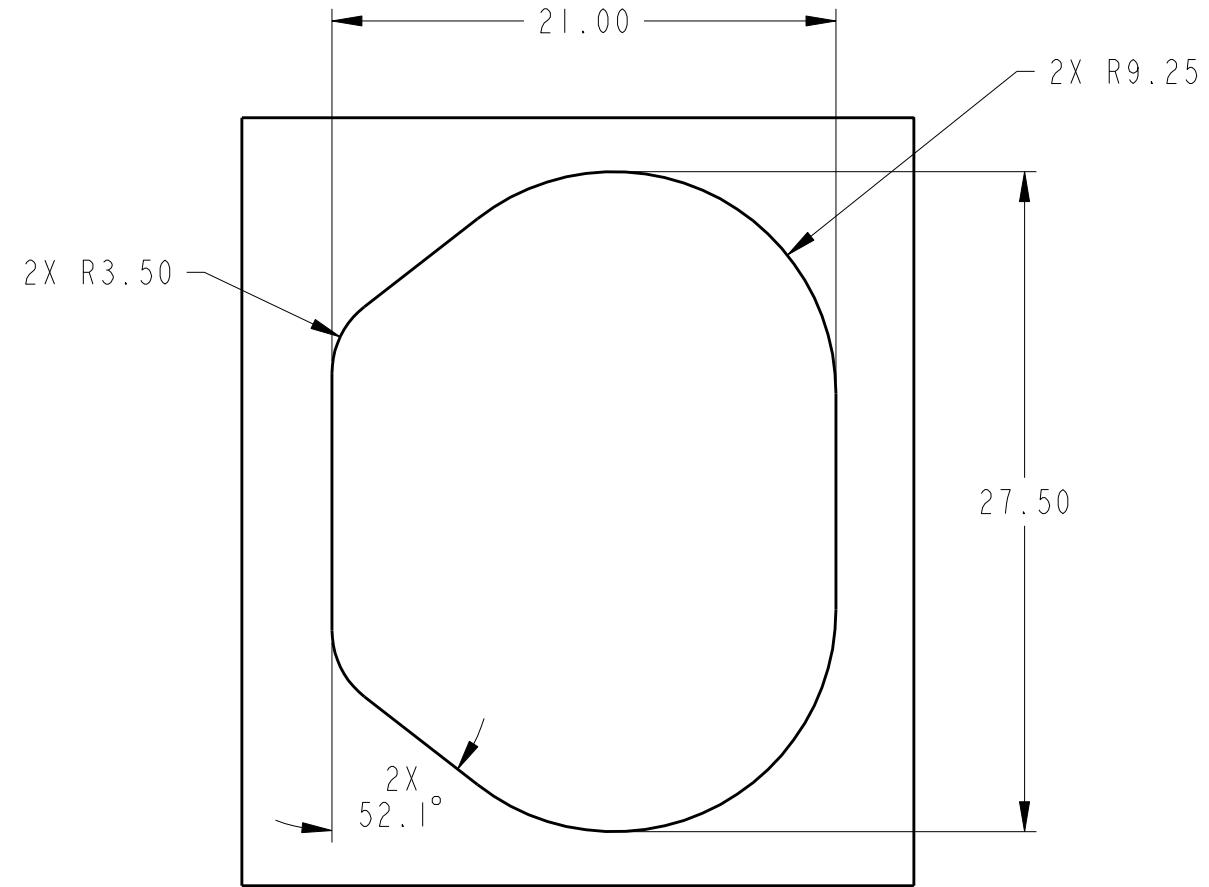


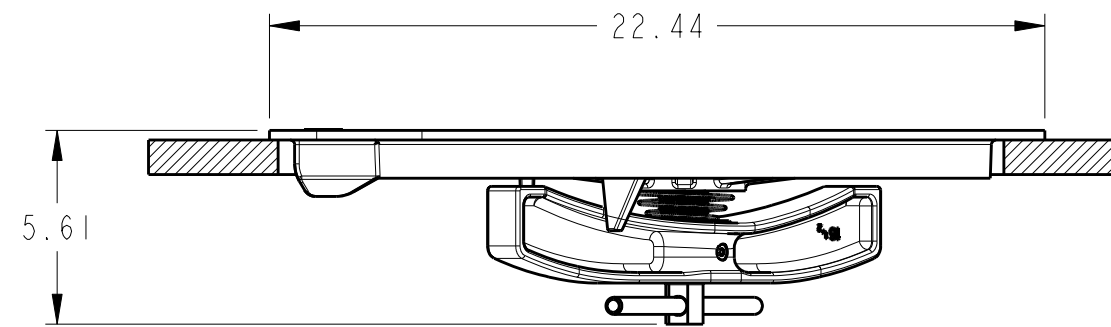
REVISIONS					
REV	ECN	ECR-TN	DESCRIPTION	DATE	APR
A	16-00209	N/A	INITIAL RELEASE	08/19/16	RCL



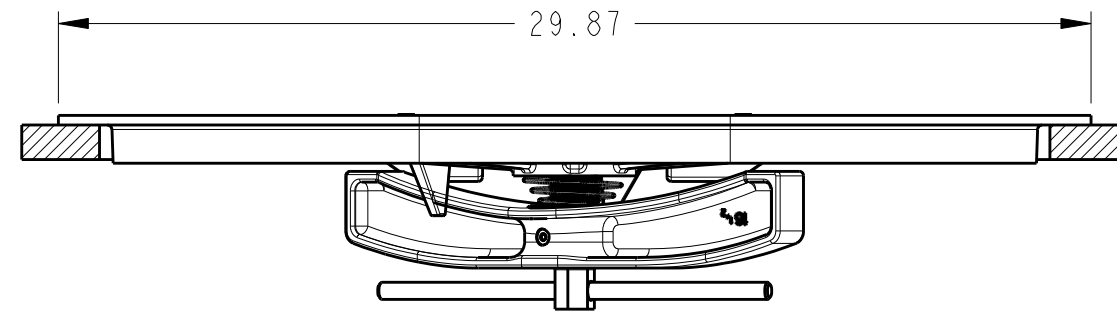
TOP VIEW  
SCALE 1:8



CUTOUT DIMENSION VIEW  
SCALE 1:8



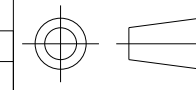
SECTION A-A  
SCALE 9:50



SECTION B-B

PRO/E  
THIRD ANGLE PROJECTION

UMC P/N REF  
08861-161B



THE INFORMATION CONTAIN IN THIS DOCUMENT IS PROPRIETARY AND SHALL NOT BE REPRODUCED OR USED FOR ANY PURPOSE WITHOUT THE WRITTEN APPROVAL OF BAIER MARINE CO., INC.

DWN	BAE	DT	01/11/16
CK		DT	
APR		DT	

**BAIER**  
2920 Airway Ave., Costa Mesa, CA 92626

TITLE HATCH ASSY, G-HANDLE  
HINGE, AL-STL 15" X 24"

SIZE B DWG NO. BFHH015X24A-S REV A

SCALE 9:50 AND NOTED SHEET 1 OF 1