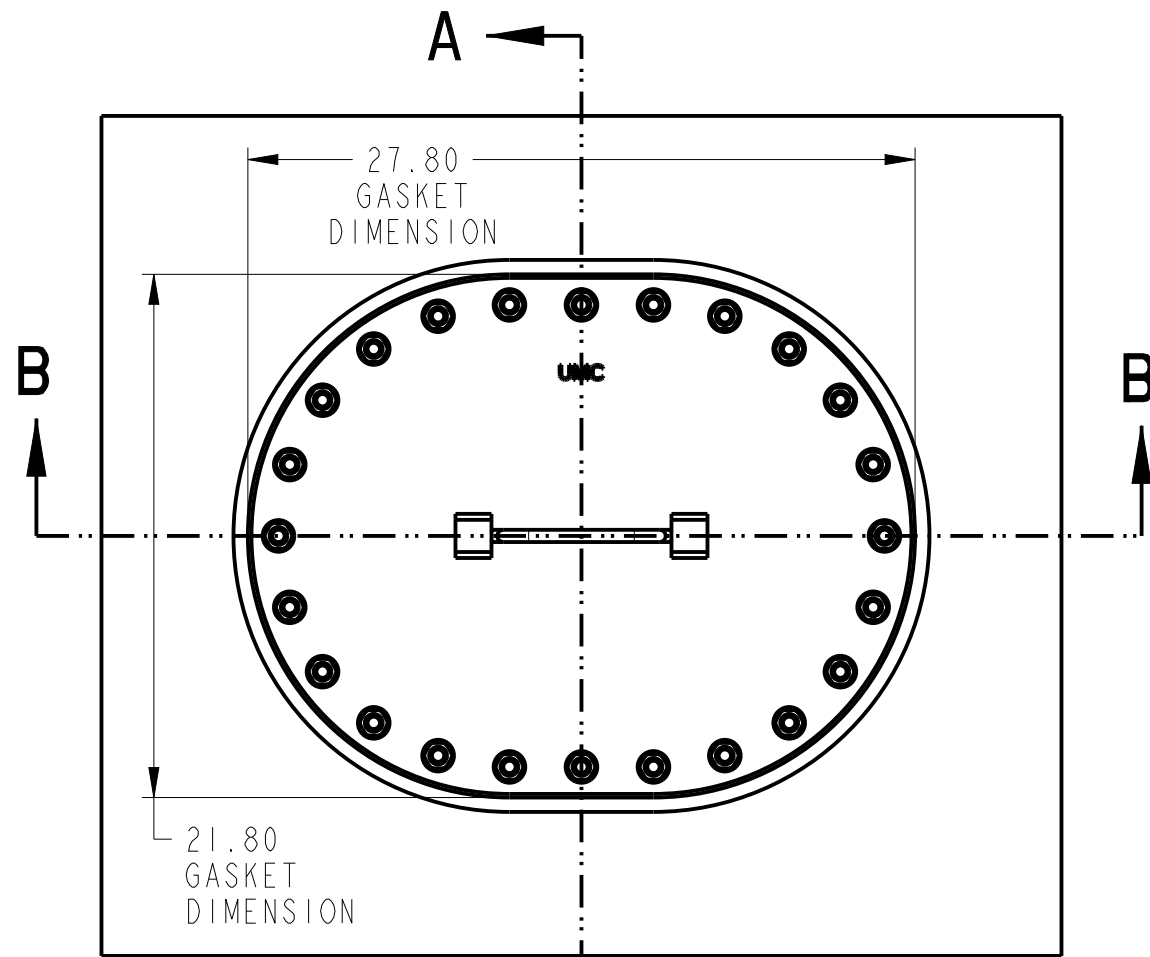
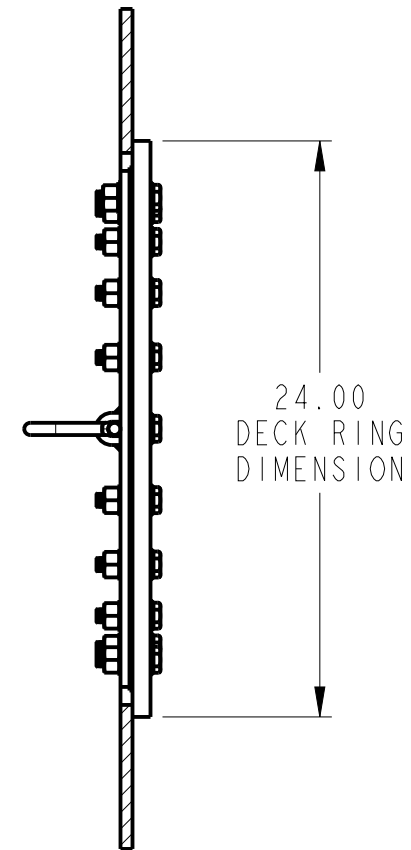


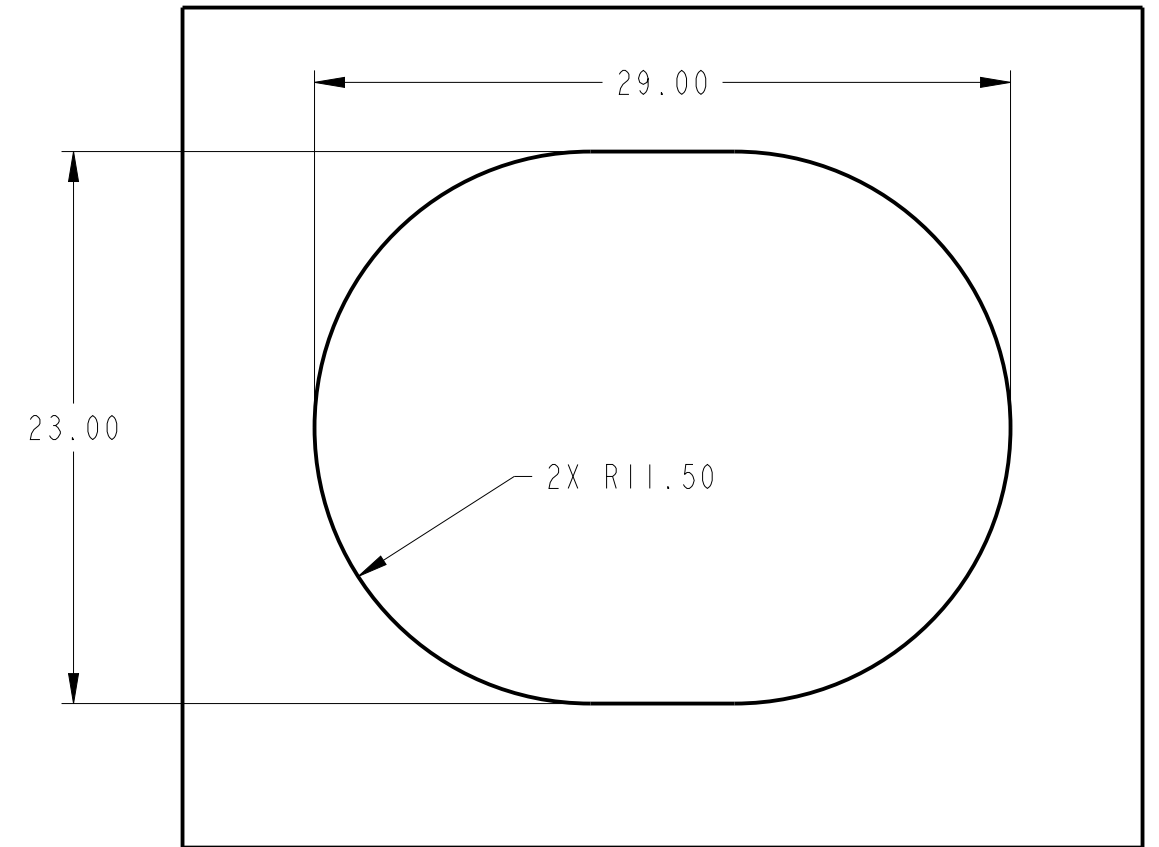
REVISIONS					
REV	ECN	ECR-TN	DESCRIPTION	DATE	APR
A	19-00422	N/A	INITIAL RELEASE	08/06/19	RCL



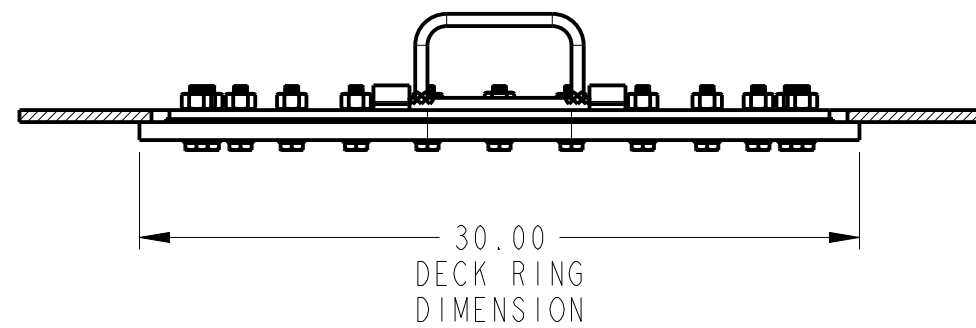
TOP VIEW



SECTION A-A

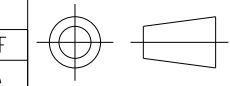


CUTOUT DIMENSION VIEW
SCALE 1:8



SECTION B-B

PRO/E
THIRD ANGLE PROJECTION



UMC P/N REF
02600-101A

THE INFORMATION CONTAIN IN THIS DOCUMENT IS PROPRIETARY AND SHALL NOT BE REPRODUCED OR USED FOR ANY PURPOSE WITHOUT THE WRITTEN APPROVAL OF BAIER MARINE CO., INC.

BAIER
2920 Airway Ave., Costa Mesa, CA 92626
TITLE
HATCH, FLUSH 18 x 24 (504)
DWN BAE DT 08/02/19
CK DT
APR DT
SIZE B DWG NO. 02600-101A_CUTOUT REV A
SCALE 1:8 AND NOTED SHEET 1 OF 1