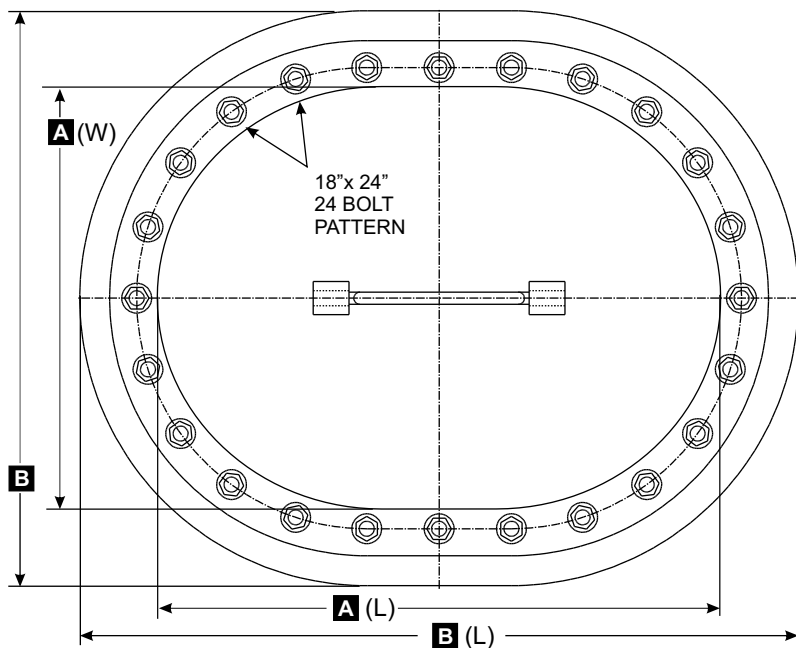
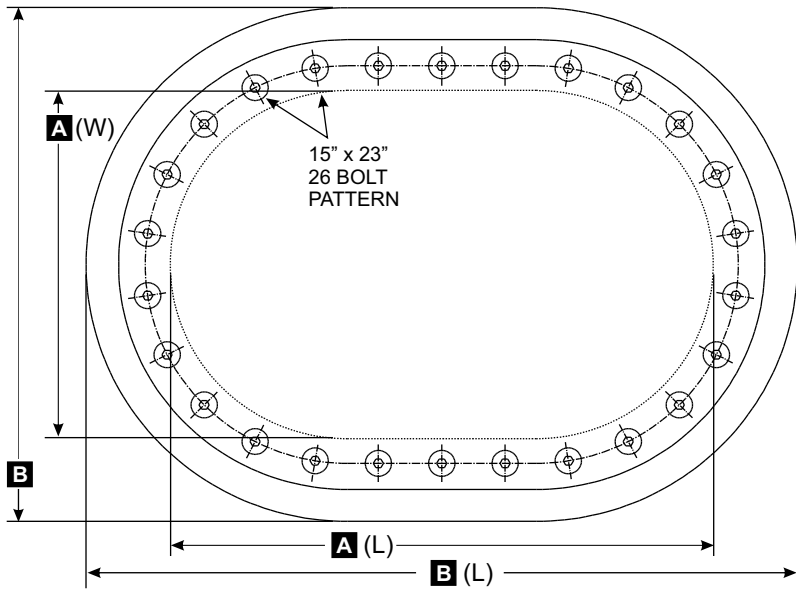
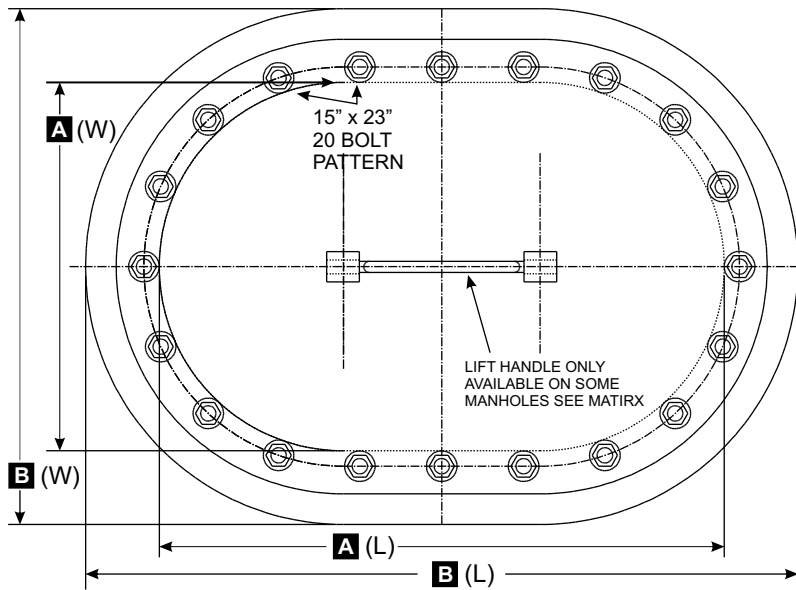




### Manhole Product Matrix

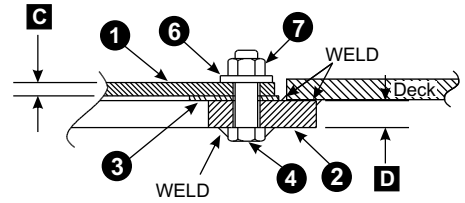
BAIER P/N P/N	DRAWING #	MODEL #	BOLT TYPE	BOLT TYPE	BOLT LGNTH	A(W)	A(L)	B(W)	B(L)	C	D	E	WGHT LBS	BOLT/ STUD	NUT	WSHR	GSKT	HNDL Y/N
<b>15" x 23"</b>	<b>20 Bolt Flush</b>																	
BMHC15X23BZ	02590-101A	UMC-503	WELD BOLT	5/8-11	2.25	15	23	21	29	.393	.787	N/A	95	ZN	SS	BR	BUNA	Y
BMHC15X23DD	02590-103S		TAP RING	5/8-11	1	15	23	21	29	.393	.787	N/A	95	SS		BR	BUNA	N
BMHC15X23BS	02590-105A	UMC-503	WELD BOLT	5/8-11	2.25	15	23	21	29	.393	.787	N/A	95	SS	BR	BR	BUNA	Y
BMHC15X23D	08866-101D		TAP RING	3/4-10	1.375	15	23	21	29	.393	.787	N/A	102	SS		SS	BUNA	N
BMHC15X23F	08866-101F		FLUSH SCREW	1/2-13	.9375	15	23	21	29	.393	.787	N/A	98	SS			BUNA	N
BMHC15X23S	08866-101S		STUD WELD	3/4-10	2.25	15	23	21	29	.393	.787	N/A	104	SS	BR	SS	BUNA	N
<b>15" x 23" w/ 3" NPT</b>	<b>20 Bolt Flush</b>	<b>3" NPT PLUG</b>																
BMHC15X23Z	08866-101Z	RAISED PLUG	STUD WELD	3/4-10	2.25	15	23	21	29	.393	.787	N/A	125	SS	BR	SS	BUNA	N
BMHC15X23Z	08866-101H	FLUSH PLUG	STUD WELD	3/4-10	2.25	15	23	21	29	.393	.787	N/A	125	SS	BR	SS	BUNA	N
<b>15" x 23"</b>	<b>26 Bolt Flush</b>																	
BMHC15X23-26F	02610-101A	UMC-505	FLUSH SCREW	5/8-11	1.25	15	23	22	30	.51	1.125	N/A	160	SS			BUNA	N
BMHC15X23-26D	02590-102SA		TAP RING	5/8-11	1	15	23	21	29	.393	.787	N/A	95	SS		BR	BUNA	N
<b>15" x 23"</b>	<b>20 Bolt Raised</b>																	
BMHC15X23X2.5BZ	02570-101A	UMC-501	NON WELD	5/8-11	1.75	15	23	20	28	.393	.375	2.5	85	ZN	SS	BR	BUNA	N
BMHC15X23X4BS	02570-105A		NON WELD	5/8-11	1.75	15	23	20	28	.393	.375	4	95	SS	BR	BR	BUNA	N
<b>18" x 24"</b>	<b>24 Bolt Flush</b>																	
BMHC18X24BZ	02600-101A	UMC-504	WELD BOLT	5/8-11	2.25	18	24	24	30	.393	.787	N/A	112	ZN	ZN	BR	BUNA	Y
<b>18" x 24"</b>	<b>24 Bolt Raised</b>																	
BMHC18X24X2.5BZ	02580-101A	UMC-502	NON-WELD	5/8-11	1.75	18	24	23	29	.393	.375	2.5	106	ZN	SS	BR	BUNA	N
<b>18" Round</b>	<b>Raised</b>																	
BMHC18BR	08450-101A	UMC-154-18	NON WELD	5/8-11	2	18	18	23	23	.393	.393	2.5	78	ZN	BR		BUNA	N
BMHC18SS-FLAX	08450-101B	UMC-154-18	NON WELD	5/8-11	2	18	18	23	23	.393	.393	2.5	78	SS	SS		FLAX	N
BMHC18SS	08450-102B	UMC-154-18	NON WELD	5/8-11	2	18	18	23	23	.393	.393	2.5	78	SS	SS		NONE	N
BMHC18SS-9	08450-121B	UMC-154-18	NON WELD	5/8-11	2	18	18	23	23	.393	.393	9	85	SS	SS		FLAX	N
<b>14" Round</b>	<b>Raised</b>																	
BMHC14BR	08451-101A	UMC-154-14	NON WELD	5/8-11	2	14	14	19	19	.393	.393	2.5	55	ZN	BR		BUNA	N
BMHC14BR-FLAX	08451-101B	UMC-154-14	NON WELD	5/8-11	2	14	14	19	19	.393	.393	2.5	55	SS	SS		FLAX	N
BMHC14SS	08451-102B	UMC-154-14	NON WELD	5/8-11	2	14	14	19	19	.393	.393	2.5	55	SS	SS		BUNA	N
BMHC14SS-4.5	08451-112B	UMC-154-14	NON WELD	5/8-11	2	14	14	19	19	.393	.393	4	68	SS	SS		BUNA	N
<b>10" Round</b>	<b>12 Bolt Flush</b>																	
BMHC10U	08866-110A		WELD BOLT	5/5-11	2.25	10	10	16	16	.393	.787	N/A	48	SS	BR	SS	BUNA	N

STEEL MANHOLES

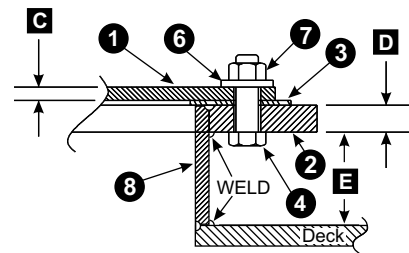


BILL OF MATERIAL: BMHC		
PC.NO.	DESCRIPTION	MATERIAL
1	COVER	STEEL (PRIMED)
2	DECK RING	STEEL (PRIMED)
3	GASKET	BUNA
4	BOLT	SEE MATIRX
5	STUD	SEE MATIRX
6	WASHER	SEE MATIRX
7	NUT	SEE MATIRX
8	COAMING	STEEL (PRIMED)

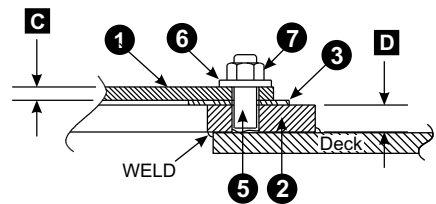
EXAMPLE: WELD BOLT



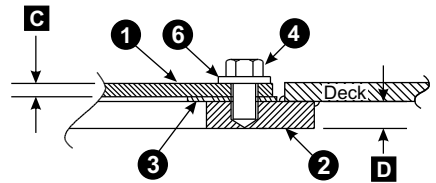
EXAMPLE: NON-WELD



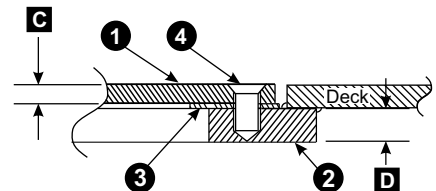
EXAMPLE: STUD WELD



EXAMPLE: TAP RING



EXAMPLE: FLUSH SCREW



1-800-455-3917  
206-632-2441 (FAX)  
sales@baiermarine.com

**BAIER**  
Marine  
Company, Inc.

**BAIER MANHOLE COVER**  
STEEL MULTI-BOLT MANHOLE  
MODEL BMHCxxxxxxx

DWG. NO. 725